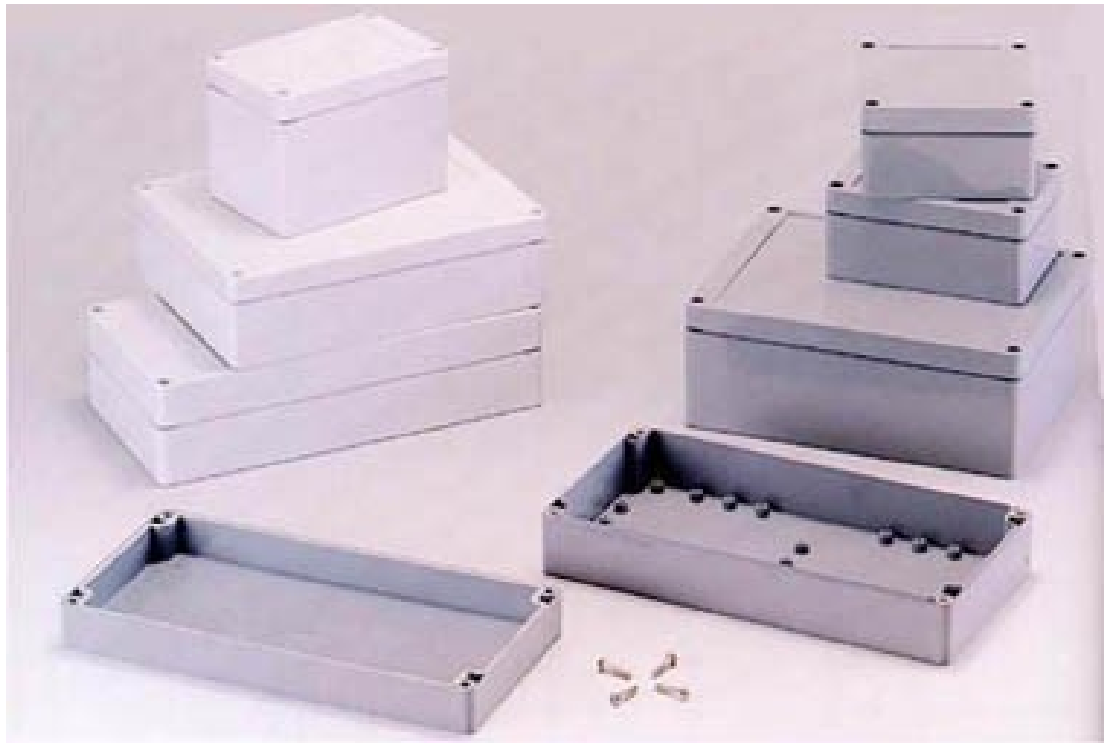


## **NEW DESIGN SEALED POLYCARBONATE AND ABS PLASTIC ENCLOSURES**



### **DESIGN FEATURES**

**Designed to IP65 nema 4 specification.**

**Wallmounting holes and cover attaching screws are outside the sealing area thus preventing ingress of moisture and dust.**

**Internal bosses allow mounting of PCB horizontally or for connection of terminals, Etc..... Into threaded inserts.**

**Cover screws are M-4 stainless steel, non-magnetic and fasten into thread brass inserts.**

**Recessed area on cover for sticking membrane keyboard.**

### **MATERIAL AND COLOURS**

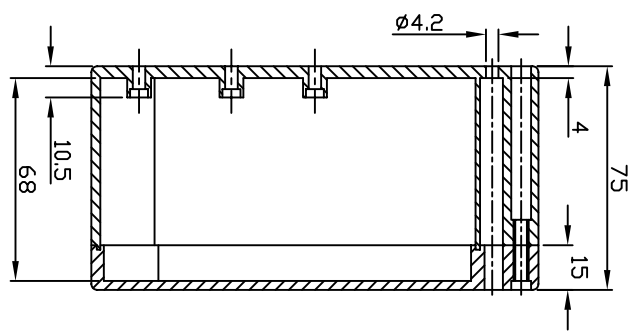
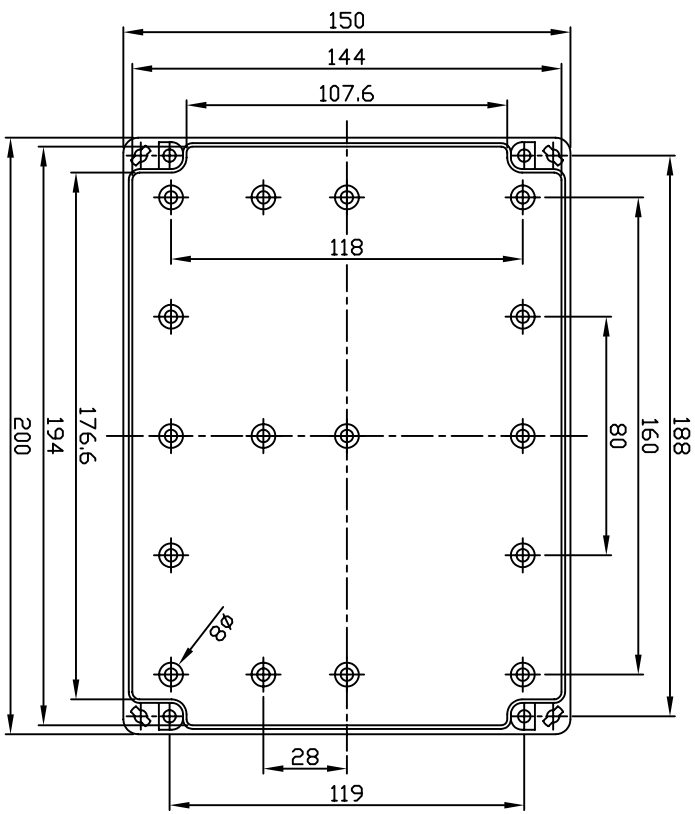
**Polycarbonate in light grey cover and body**

**Polycarbonate in clear cover and light grey body.**

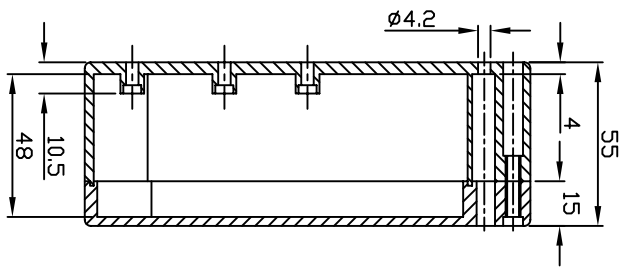
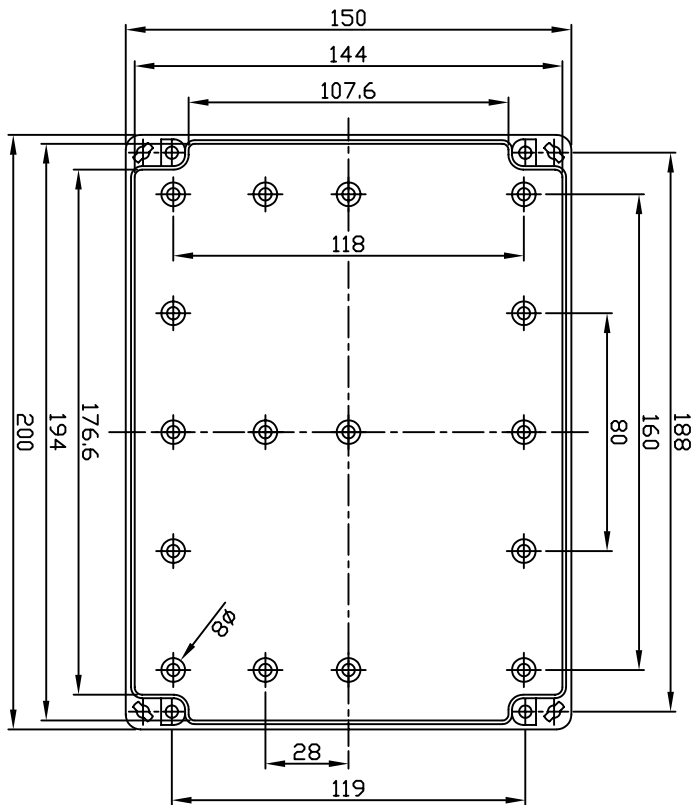
**ABS in dark grey cover and body**

METERIAL			
POLYCARBONATE		ABS	
LIGHT GRAY	CLEAR LID	DARK GREY	
Stock No	Stock No	Stock No	External Dimensions (mm)
G2100	G2100C	G3101	100x 100 x 55
G2102	G2102C	G3103	100 x 100 x 90
G2104	G2104C	G3107	120 x 80 x 55
G2105	G2105C	G3109	120 x 80 x 85
G2111	G2111C	G3113	200 x 120 x 90
G2113	G2113C	G3118	240 x 120 x 60
G2117	G2117C	G3121	240 x 120 x 100
G2119	G2119C	G3122	200 x 150 x 55
G2120	G2120C	G3127	200 x 150 x 75
G2128	G2128C	G3130	353 x 140 x 121.5

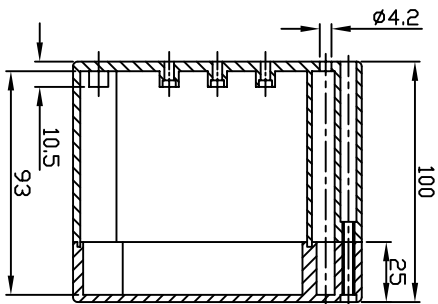
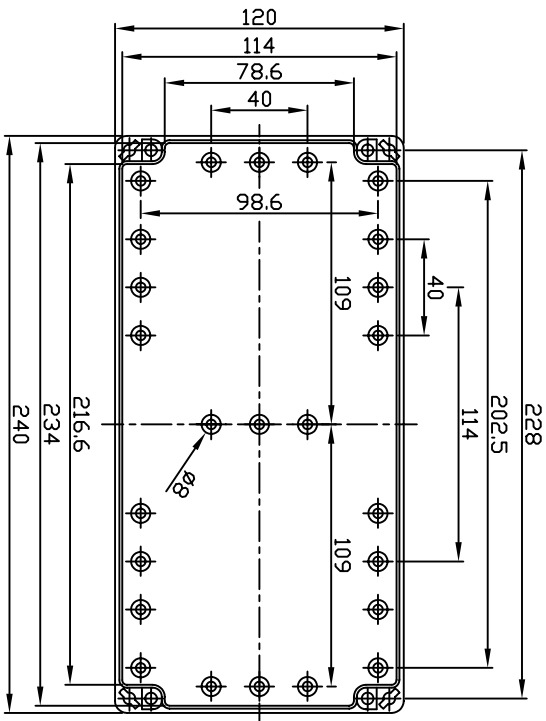
G2120/G3127



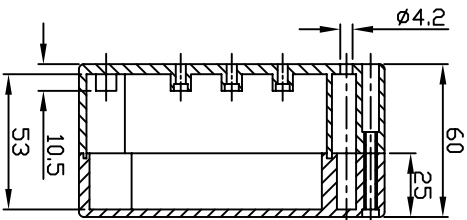
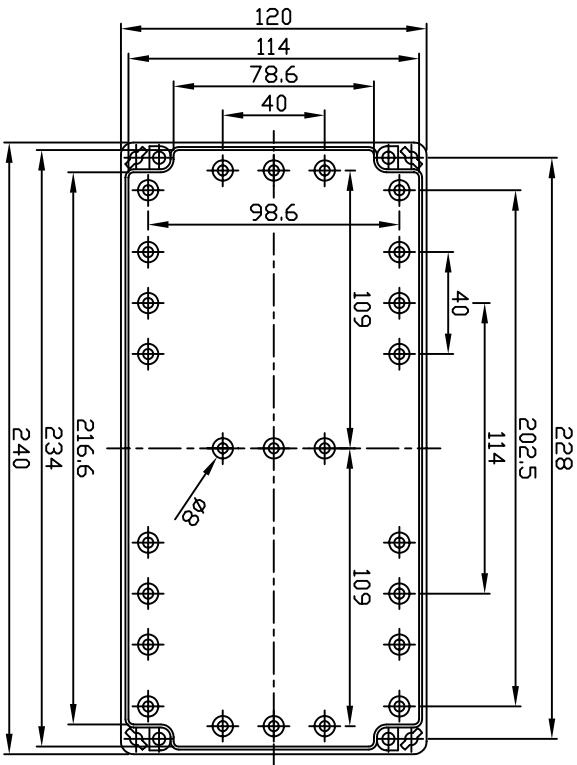
G2119 / G3122



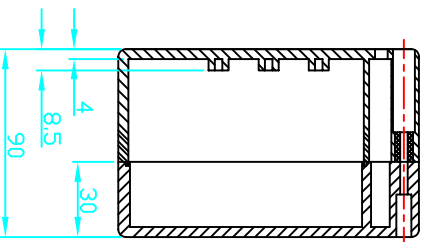
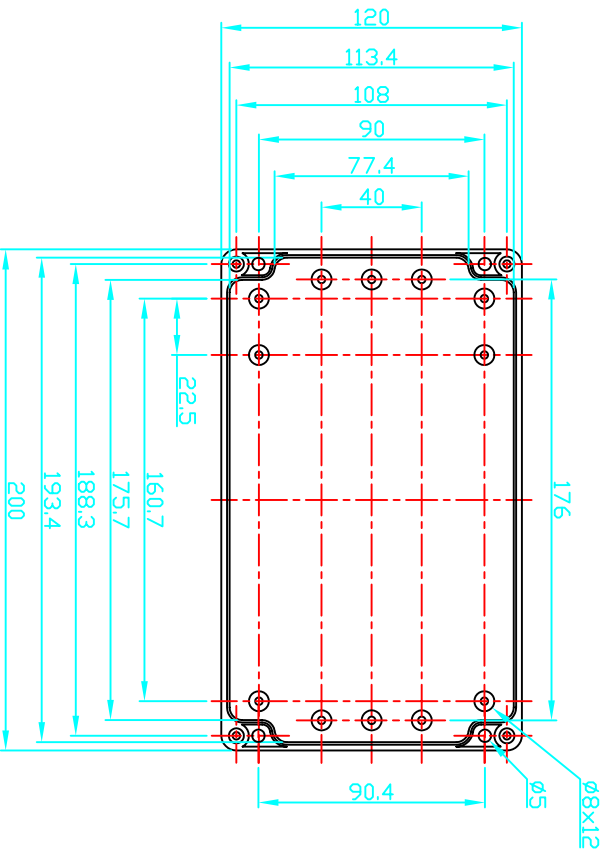
G2117 / G3121



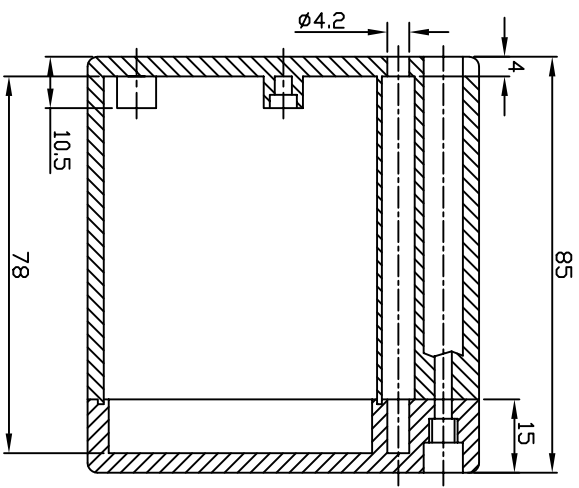
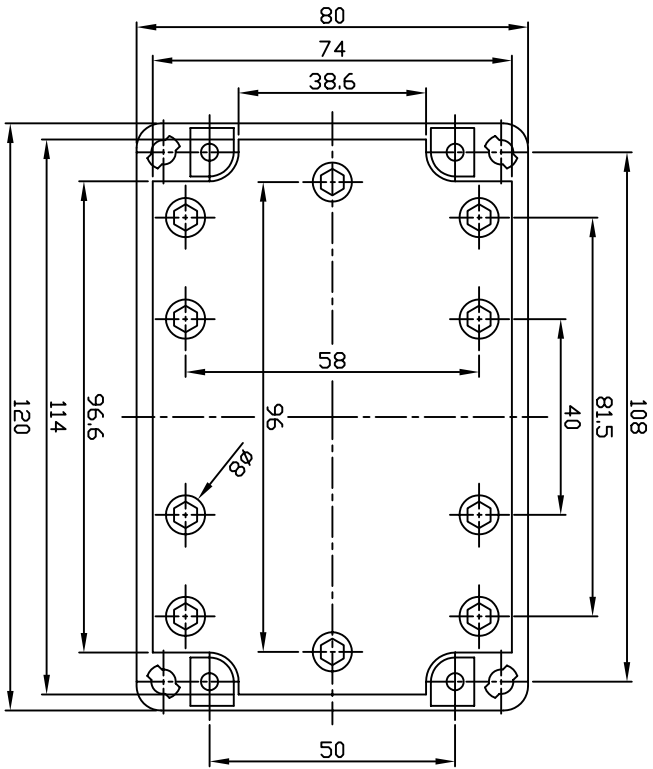
G2113 / G3118



G21111/G3113

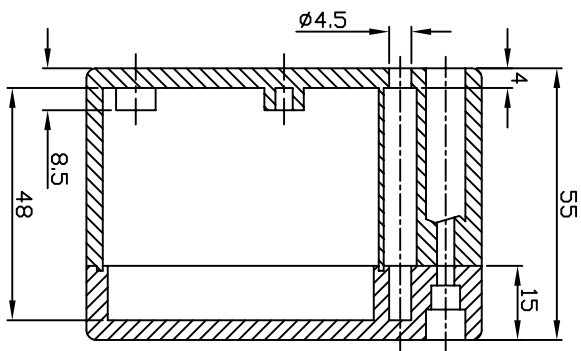
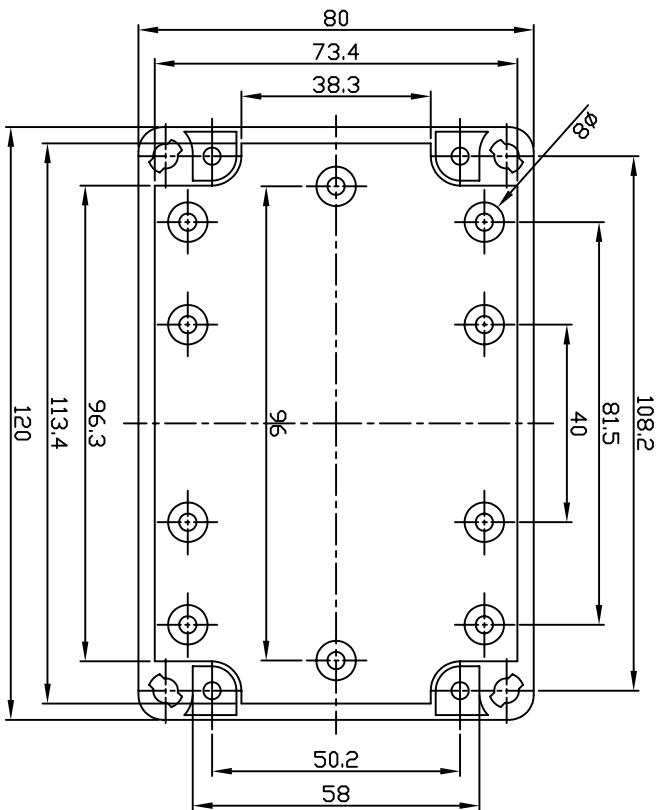


G2105 / G3109

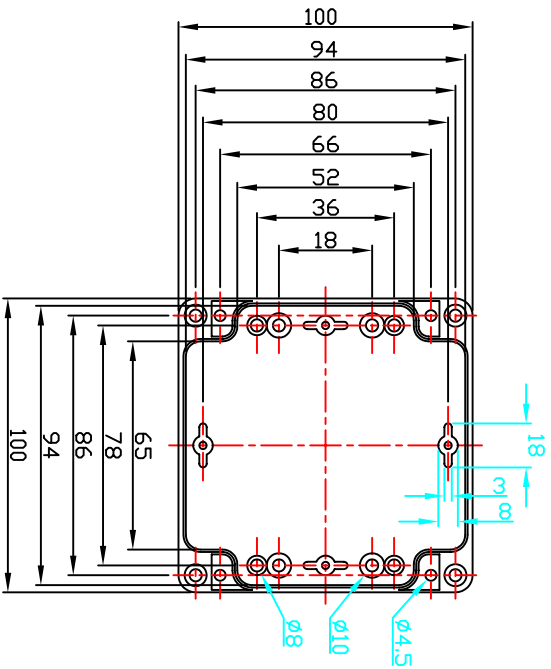




G2104 / G3107



G2102 / G3103



G2100/G3101

