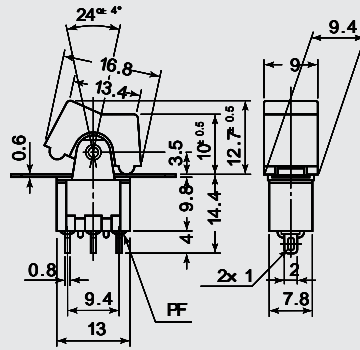


MS-500

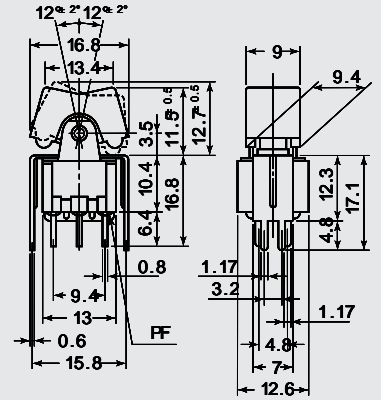
外形図 / Dimensions

MS-500 -W2-S

MS-500 -W2-P

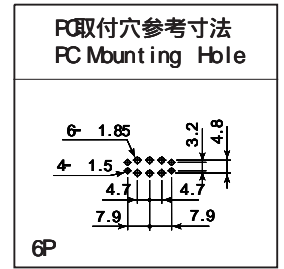
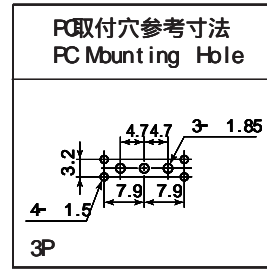
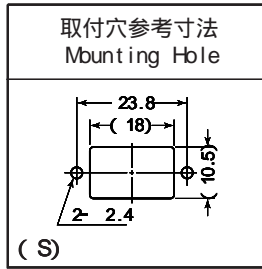


MS-500A-W2-S



MS-500H-W2-P

回路 CIRCUIT	ツマミ振れ角度 Knob Travel Angle
A	24° ± 4°
B	20° ± 4°
C・D・E	12° ± 2°
F	24° ± 4°
G	20° ± 4°
H・I・J	12° ± 2°



ご注文の際は下記の例に準じてご用命下さい。

ORDERING INFORMATION

MS-500 A - W2 - P - K
 1 2 3 4

1	回路 CIRCUIT	スイッチ特性 SWITCHING FUNCTION
A	SPDT (3P)	ON-ON
B	SPDT (3P)	ON-(ON)
C	SPDT (3P)	ON-OFF-ON
D	SPDT (3P)	ON-OFF-(ON)
E	SPDT (3P)	(ON) -OFF-(ON)
F	DPDT (6P)	ON-ON
G	DPDT (6P)	ON-(ON)
H	DPDT (6P)	ON-OFF-ON
I	DPDT (6P)	ON-OFF-(ON)
J	DPDT (6P)	(ON) -OFF-(ON)

2	ツマミ形状 Shape of knob
W2	

3	端子形状 Shape of Terminal
S	はんだ端子 Solder Terminal
P	PC端子ブラケットマウント付 PC Terminal with Bracket mount

4	ツマミカラー Knob Color
	黒 Black グレー Gray
	K N

電流容量 RATING	絶縁抵抗 INSULATION RESISTANCE	絶縁耐圧 VOLTAGE BREAKDOWN	接触抵抗 CONTACT RESISTANCE
6A.125V.AC	DC.500V 100M 以上 (MIN)	端子間 Between the terminals AC.1000V 1分間 (Minute) 充電部と非充電部 Between the terminals and actuator AC.1500V 1分間 (Minute)	20m 以下 (MAX)

注記 (NOTE)

- = 標準色 Standard Color
- = 受注生産 Order-received production