

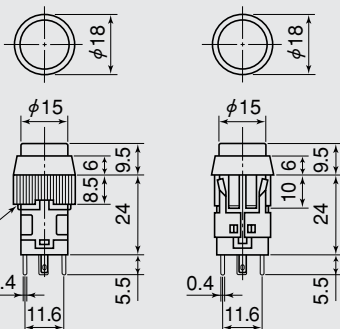
# 照光式スイッチ／ILLUMINATED SWITCHES

DS-721 セルフロック／Latching

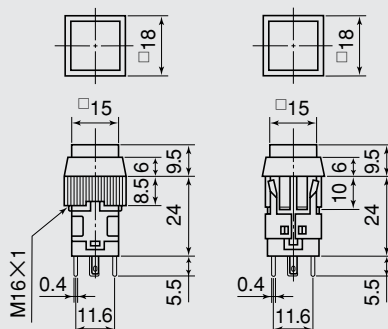
DS-731 ノンロック／Momentary

受注生産／Order-received production

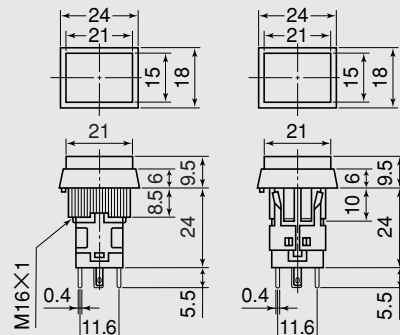
DS-721  
DS-731



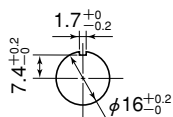
DS-721  
DS-731



DS-721  
DS-731



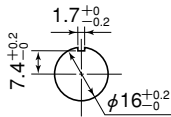
取付穴参考寸法  
Mounting Hole



パネル板厚  
Panel Thickness

1~4mm

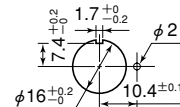
取付穴参考寸法  
Mounting Hole



パネル板厚  
Panel Thickness

1~4mm

取付穴参考寸法  
Mounting Hole



パネル板厚  
Panel Thickness

1~4mm

品番 PARTS NO.	回路 CIRCUIT	スイッチ特性 SWITCHING FUNCTION	電流容量 RATING	絶縁抵抗 INSULATION RESISTANCE	絶縁耐圧 VOLTAGE BREAKDOWN	接触抵抗 CONTACT RESISTANCE
DS-721-L	SPST (2P)	OFF-ON	10A.125V.AC 6A.250V.AC	DC.500V 100MΩ以上 (MIN)	AC.1500V 1分間 (Minute)	20mΩ以下 (MAX)
DS-731-L		OFF-(ON)				
DS-721-F		OFF-ON				
DS-731-F		OFF-(ON)				
DS-721-N		OFF-ON	10A.125V.AC			
DS-731-N		OFF-(ON)				

注記／NOTE

( ) = ノンロック／Momentary

# 照光式スイッチ／ILLUMINATED SWITCHES

## DS-721 セルフロック／Latching

## DS-731 ノンロック／Momentary

受注生産／Order-received production

ご注文の際は下記の例に準じてご用命下さい。

### ORDERING INFORMATION

DS-721	L	C	N	色 Color	28V
1	2	3	4	5	6

1	2		3			4	
シリーズ Series NO.	適合表示灯の種類 Kind of Applicable Indicator		釦形状 Shape of Push Button			取付金具の有無 Mounting Nut	
DS-721	L	LED	C	丸型	Circle Shape	N	ナット付 with Nut
	F	白熱球 Filament Lamp	S	正角型	Square Shape		
	N	ネオン球 Neon Lamp	R	長角型	Rectangle Shape		
DS-731	L	LED	C	丸型	Circle Shape	O	ワンタッチ取付 with Snap-in Plate N : _____
	F	白熱球 Filament Lamp	S	正角型	Square Shape		
	N	ネオン球 Neon Lamp	R	長角型	Rectangle Shape		

5 カラー Color			
LED Illuminator	白熱球 Filament Lamp Illuminator	ネオン球 Neon Lamp	
R = 赤 Red	R = 赤 Red	R = 赤 Red	
W = 白 (透明キャップ) White (Clear Cap)	W = 白 White	O = オレンジ Orange	
Y = 黄 Yellow	Y = 黄 Yellow	T = 透明 Clear	
G = 緑 Green	G = 緑 Green		
	U = 青 Blue		

6
白熱球(種類) Voltage Select
6V
12V
28V

LED	白熱球 (F球) FILAMENT LAMP	表示灯交換用治具〔別売〕 Tools for replacing of indicating lamp (to be sold separately)																								
<table border="1"> <tr> <td>TEMPERATURE</td> <td>Ta=25°C</td> </tr> <tr> <td>REVERSE VOLTAGE</td> <td>12V</td> </tr> <tr> <td>FORWARD VOLTAGE</td> <td>6.3V</td> </tr> <tr> <td>VF (1F=15mA)</td> <td></td> </tr> <tr> <td>FORWARD CURRENT</td> <td>20mA</td> </tr> <tr> <td>APPROVAL CURRENT</td> <td>15mA</td> </tr> </table>	TEMPERATURE	Ta=25°C	REVERSE VOLTAGE	12V	FORWARD VOLTAGE	6.3V	VF (1F=15mA)		FORWARD CURRENT	20mA	APPROVAL CURRENT	15mA	<table border="1"> <tr> <td>VOLTAGE</td> <td>6V</td> <td>12V</td> <td>28V</td> </tr> <tr> <td>CURRENT</td> <td>65mA</td> <td>50mA</td> <td>24mA</td> </tr> <tr> <td>AVERAGE LIFE</td> <td>10,000 H</td> <td>10,000 H</td> <td>5,000 H</td> </tr> </table>	VOLTAGE	6V	12V	28V	CURRENT	65mA	50mA	24mA	AVERAGE LIFE	10,000 H	10,000 H	5,000 H	
TEMPERATURE	Ta=25°C																									
REVERSE VOLTAGE	12V																									
FORWARD VOLTAGE	6.3V																									
VF (1F=15mA)																										
FORWARD CURRENT	20mA																									
APPROVAL CURRENT	15mA																									
VOLTAGE	6V	12V	28V																							
CURRENT	65mA	50mA	24mA																							
AVERAGE LIFE	10,000 H	10,000 H	5,000 H																							

ご使用電圧に対してネオン球回路に安定抵抗を直列接続して下さい。例を下記に示します。

●For protecting Neon Lamp, please add the suitable resistor to Neon Lamp Circuit in series, and select the value of resistor from the following according to your AC Voltage.

- AC100V...33KΩ 1/4W
- AC110V...39KΩ 1/4W
- AC125V...47KΩ 1/4W