

OPEN WOUND SEMI ADJUSTABLE POWER WIREWOUND RESISTORS **HD** SERIES



FEATURES

- POWER RATING 200 - 750 WATTS
- 7 WATTAGE SIZES
- HIGH SHORT TERM OVERLOAD CAPACITY
- HIGH ELEMENT WEIGHT FOR VALUE
- GOOD STABILITY AT HIGH OPERATING TEMPERATURES

CHARACTERISTICS

Tolerance	Standard K ($\pm 10\%$). Also available J ($\pm 5\%$). Please consult ARCOL on closer tolerances.
Temperature coefficients typical values	Typically less than 100ppm/ $^{\circ}\text{C}$.
Power dissipation @ 25 $^{\circ}\text{C}$	200 watts to 750 watts.
Ratings	Ratings are given for units mounted vertically in free air in an ambient temperature of 20 $^{\circ}\text{C}$; the temperature rise on the surface of the tube under these conditions will be approximately 350 $^{\circ}\text{C}$.
Core	Electrical porcelain.
Element	Oxidised copper nickel alloy (iron free).
Terminals	Nickel silver.
Marking	Resistance value marked on mounting feet.

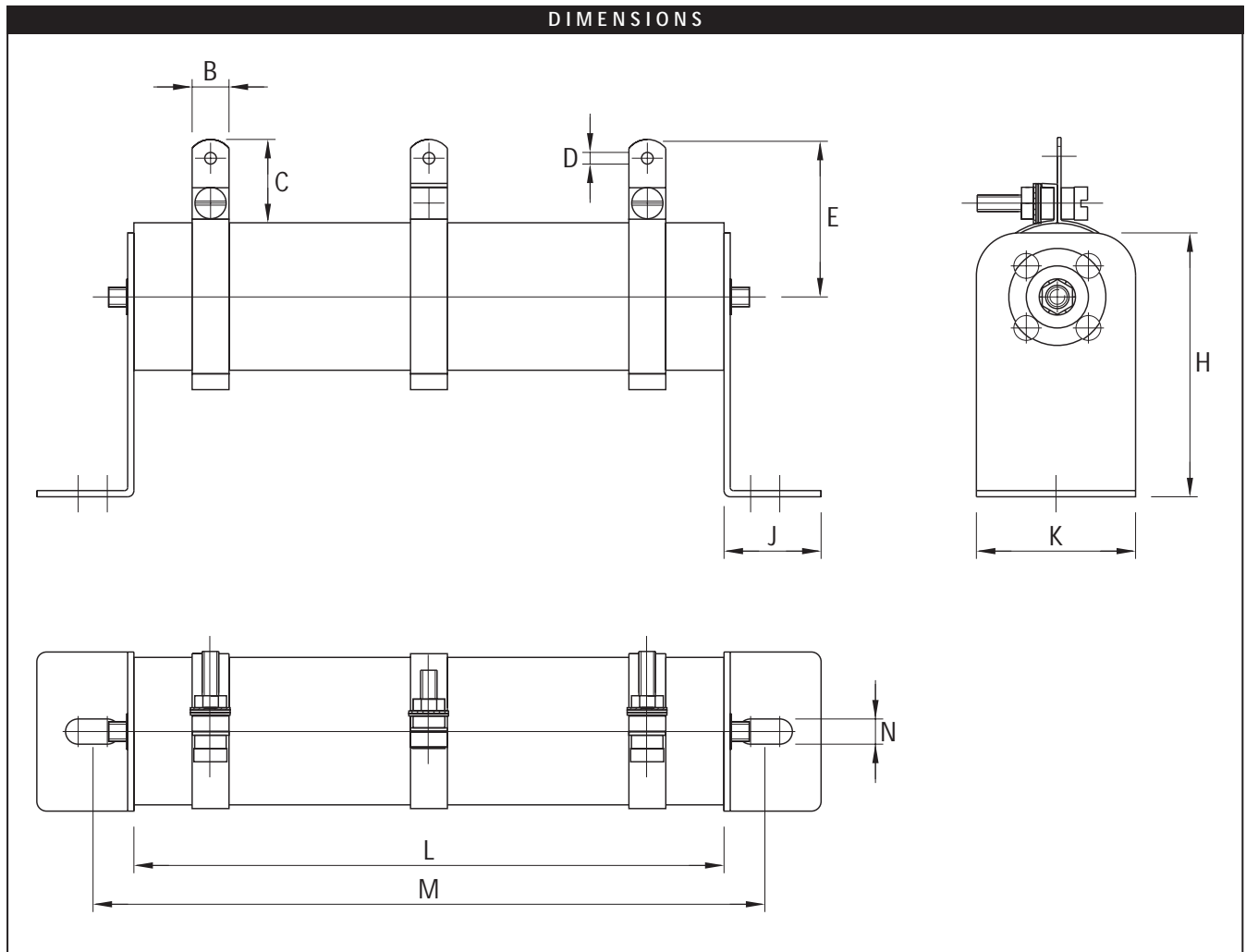
ELECTRICAL SPECIFICATIONS

ARCOL TYPE	POWER RATING @ 25 $^{\circ}\text{C}$	RESISTANCE RANGE OHMS		STABILITY ΔR % PER 1000 HRS	APPROX WEIGHT GMS	TYPICAL SURFACE TEMP. RISE $^{\circ}\text{C}/\text{W}$
		MIN	MAX			
HD200	200	R49	800R	3	435	1.62
HD300	300	R71	1K2	3	555	1.08
HD400	400	R93	1K66	3	725	0.82
HD450	450	1R16	2K06	3	925	0.73
HD500	500	1R18	2K09	3	920	0.65
HD600	600	1R5	2K62	3	1130	0.55
HD750	750	1R8	3K15	3	1240	0.44

ORDERING SYSTEM

H	D	3	0	0	H	L	2	R	2	K
SERIES		WATTS (MAX) HEAT SINK MOUNTED			MOUNTING STYLE	ADJUSTABLE BAND	NOMINAL VALUE (Ω)		TOLERANCE	

TOLERANCE CODE **J = $\pm 5\%$** **K = $\pm 10\%$**



ARCOL TYPE	DIMENSIONS (MM)									
	B MAX	C MAX	D MAX	E MAX	H MAX	J MAX	K MAX	L MAX	M MAX	N MAX
HD200	9.50	22.00	3.00	41.00	68.00	25.00	41.00	155.00	173.40	6.50
HD300	9.50	22.00	3.00	41.00	68.00	25.00	41.00	209.00	226.40	6.50
HD400	9.50	22.00	3.00	41.00	68.00	25.00	41.00	259.00	275.40	6.50
HD450	9.50	22.00	3.00	41.00	68.00	25.00	41.00	311.00	326.40	6.50
HD500	9.50	22.00	3.00	47.50	101.50	25.50	51.00	259.00	281.70	6.40
HD600	9.50	22.00	3.00	47.50	101.50	25.50	51.00	311.00	332.70	6.40
HD750	9.50	22.00	3.00	47.50	101.50	25.50	51.00	362.00	382.70	6.40

ADJUSTABLE BANDS

TYPE L (Adjustable) When an occasional adjustment is required, this type of band is most suitable since it is vibration-proof and only requires access to one side of the band to make an adjustment. The band is loosened by slackening the locknut with a box spanner.

TYPE S (Fixed) This band is most suitable for units which will have the adjustable band pre-set once and will not require further adjustment. To make an adjustment, it is necessary to have access to both sides of the band. The band is loosened by slackening the screw whilst the locknut ensures that this screw will not work loose by vibration once the band has been set to the desired value.

ARCOL UK LTD

THREEMILESTONE INDUSTRIAL ESTATE, TRURO, CORNWALL, TR4 9LG, ENGLAND.

Tel +44 (0)1872 277431 Fax +44 (0)1872 222002

http://www.arcol.co.uk E-mail sales@arcol.co.uk



CERTIFICATE NUMBER FM31218