

gG, aM

NH DIMENSION KNIFE-BLADE FUSE-LINKS



NH DIMENSION KNIFE-BLADE FUSE-LINKS, FUSE BASES, AND ACCESSORIES

Ferraz Shawmut NH Fuse-links, sizes 000, 00, 0, 1, 2, 3, 4 and 4a are rated 500 or 690 Volts AC with breaking capacities of 80kA or 120kA. All fuse-links include an indicator or striker and can accept a microswitch for remote signaling. They all have silver-plated knife blades and ceramic bodies. Accessories include 1, 2, 3 or 4-pole bases, barriers, shields, terminals, microswitch, etc.

Ferraz Shawmut Circuit Protection Group is also comprised of Lindner GmbH, a major supplier of NH fuses. These fuses are now being sold to markets worldwide through the Ferraz Shawmut distribution network. For Lindner information please contact your local representative.

Standards

- DIN 57636
- NFC 63210-63211
- CEI 269-1-2-2A
- UNE 21103
- VDE 0636-2-1, 2-2
- DIN 43620

Approvals

- Lloyd's Register of Shipping Bureau Veritas



gG

FULL RANGE PROTECTION

- Sizes 000, 00, 0, 1, 2, 3, 4, 4a
- 500 and 690 Volt ratings - 2A through 800A
- All ratings include indicator
- All equipped for microswitch mounting

gG

FULL RANGE PROTECTION

Fuse-link with Striker

- Sizes 0, 1, 2, 3
- 500 and 690 Volt ratings - 32A through 630A
- All ratings include striker

aM

SHORT CIRCUIT PROTECTION

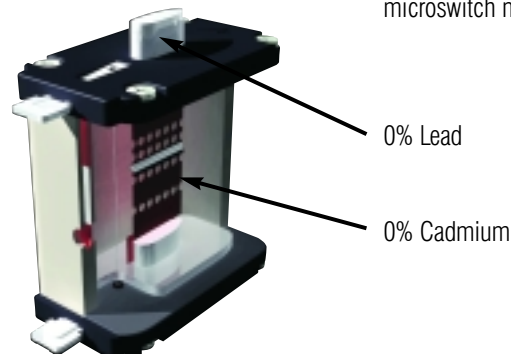
- Sizes 000, 00, 0, 1, 2, 3
- 400, 500 and 690 Volt ratings - 2A through 800A
- All ratings include indicator
- All equipped for microswitch mounting

aM

SHORT CIRCUIT PROTECTION

Fuse-link with Striker

- Sizes 0, 1, 2, 3
- 500 and 690 Volt ratings - 32A through 630A
- All ratings include striker
- Certification
DIN 57636
VDE 60269
NFC 63210, 63211
IEC 269-1, 2, 2A
UNE 21103
- Approved by Lloyds Register of Shipping and Bureau Veritas



gG

NH DIMENSION KNIFE-BLADE FUSE-LINKS

Catalog Numbers, Ratings — gG



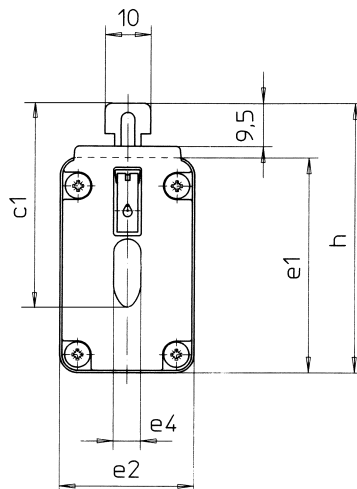
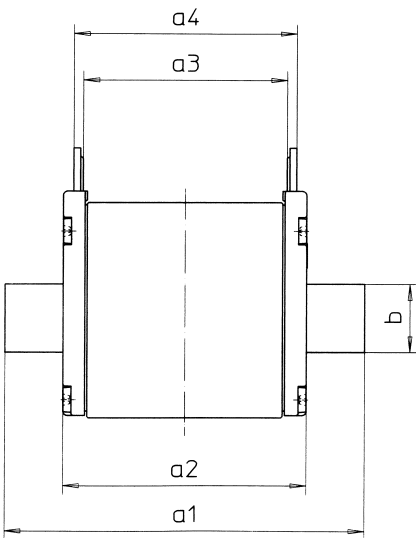
SIZE	RATED In CURRENT (A)	RATED VOLTAGE	CATALOG NUMBER	INTERRUPT. RATING (A)	STD. PACK
000	2	690V	1C613	80,000	3
	4		1C619		3
	6		1C623		3
	8		1C627		3
	10		1C631		3
	16		1C635		3
	20		1C637		3
	25		1C639		3
	32		1C643		3
	35		1C645		3
	40		1C647		3
00	50	1C651	3		
	63	1C655	3		
	80	1C659	3		
	32	690V	1C743	80,000	3
	35		1C745		3
	40		1C747		3
	50		1C751		3
63	1C755		3		
80	1C759		3		
100	1C763		3		
0	125	1C765	3		
	6	690V	1C023	80,000	3
	10		1C031		3
	16		1C035		3
	20		1C037		3
	25		1C039		3
	32		1C043		3
	35		1C045		3
	40		1C047		3
	50		1C051		3
	63		1C055		3
	80		1C059		3
	100		1C063		3
1	125		1C065		3
	160	1C069	3		
	16	690V	1C135	80,000	3
	20		1C137		3
	25		1C139		3
	32		1C143		3
	35		1C145		3
	40		1C147		3
	50		1C151		3
	63		1C155		3
	80		1C159		3
	100		1C163		3
	125		1C165		3
160	1C169		3		
200	1C171		3		
224	1C173	3			
250	1C175	3			

Table continued on next page.

gG

NH DIMENSION KNIFE-BLADE FUSE-LINKS

Catalog Numbers, Ratings — gG (cont.)



SIZE	RATED In CURRENT (A)	RATED VOLTAGE	CATALOG NUMBER	INTERRUPT. RATING (A)	STD. PACK
2	32	690V	1C243	80,000	3
	35		1C245		
	40		1C247		
	50		1C251		
	63		1C255		
	80		1C259		
	100		1C263		
	125		1C265		
	160		1C269		
	200		1C271		
	224		1C273		
	250		1C275		
	300		1C277		
315	1C279				
355	1C281				
3	250	690V	1C375	80,000	1
	300		1C377		
	315		1C379		
	355		1C381		
	400		1C383		
	425		1C385		
	500		1C387		
4	400	690V	8004.400765-L	80,000	1
	500		8004.500765-L		
	630		8004.630765-L		
	800		8004.800765-L		
4a	400	690V	8014.400765-L	80,000	1
	500		8014.500765-L		
	630		8014.630765-L		
	800		8014.800765-L		



Dimensions

SIZE	RATED CURRENT IN A	a ₁	a ₂	a ₃	a ₄	b	c ₁	e ₁	e ₂	e ₄	h
NH 690 V gG with VOLTAGE-CONDUCTING GRIP LUG											
SIZE 000	2-35A	79	53,8	45	49	15	35,8	40	20	6	47,8
SIZE 00	40-100A	79	53,8	45	49	15	35,8	48	30	6	47,8
SIZE 1	16-160A	135	75	64	68	20	40	44	30	6	52
SIZE 1	200A	135	75	64	68	20	40	47	39	6	52
SIZE 2	35-100A	150	75	64	68	26	48	44	30	6	60
SIZE 2	125-315A	150	75	64	68	26	60	47	39	6	72
SIZE 3	250/300A	150	75	64	68	26	60	47	39	6	72
SIZE 3	315-425A	150	75	64	68	33	60	58	51	6	72
SIZE 3	500A	150	75	64	68	33	60	70	64	6	72
SIZE 4	400-800A	200	85	64	68	33	85	104	89	8	97
SIZE 4a	400-800A	200	85	86	90	33	85	104	89	6	97

gG

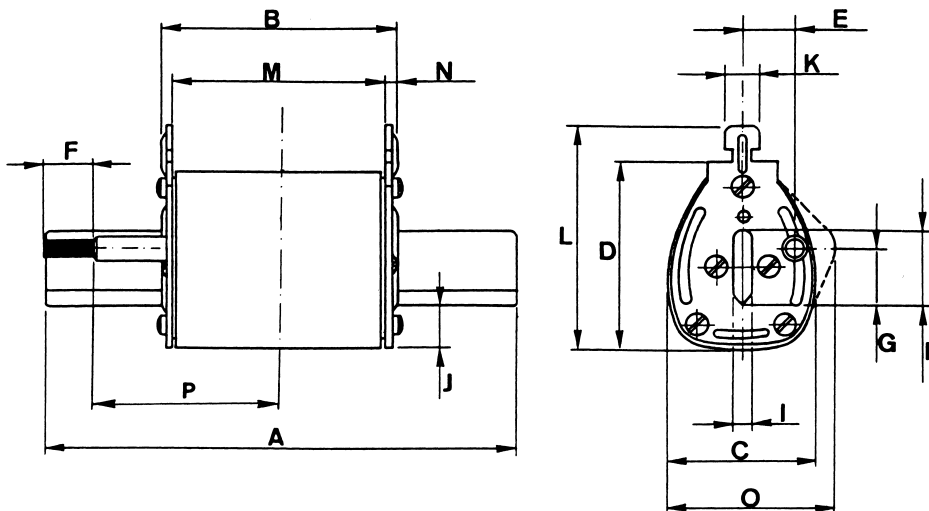
NH DIMENSION KNIFE-BLADE FUSE-LINKS

Catalog Numbers, Ratings — gG with Striker



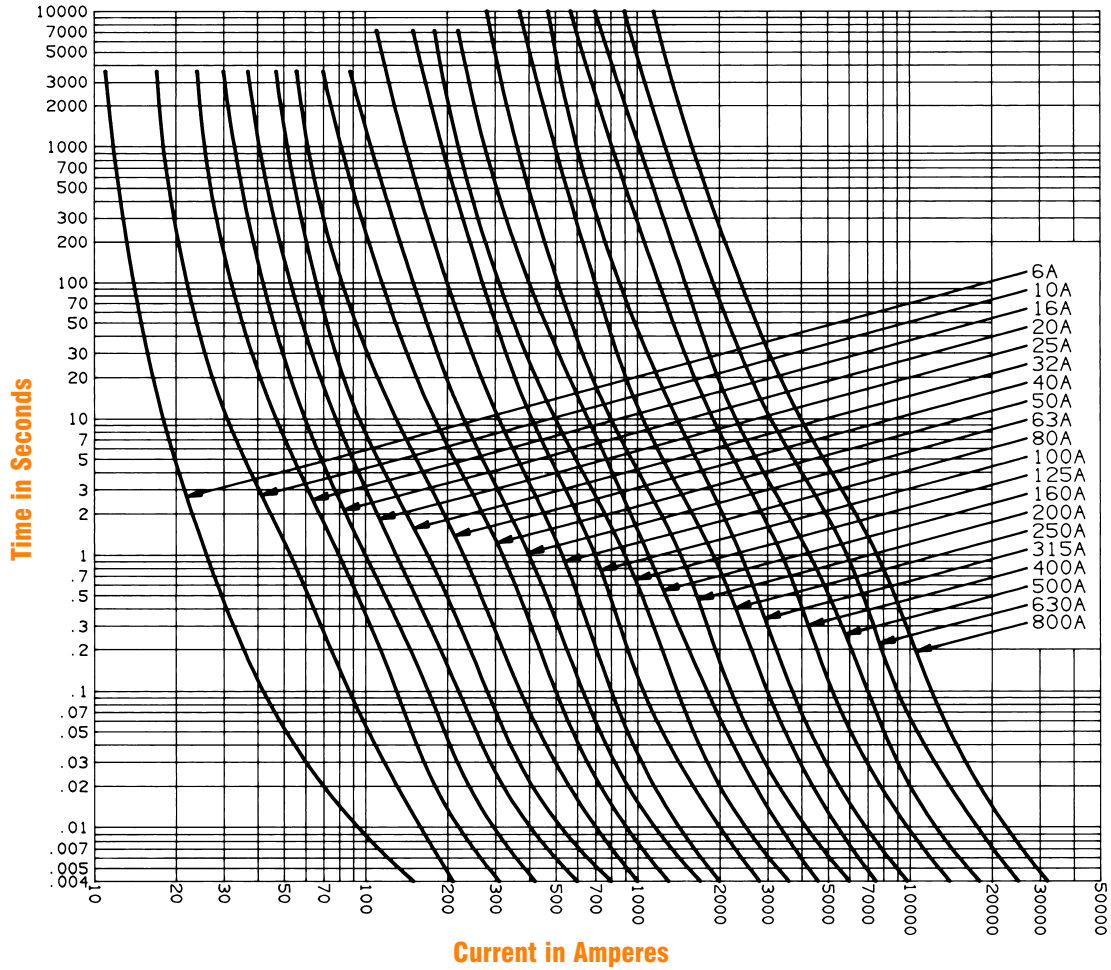
SIZE	RATED In CURRENT (A)	RATED VOLTAGE	CATALOG NUMBER	INTERRUPTING RATING (A)	STANDARD PACK	
0 OS	32	690V	36443-G	80,000	3	
	35		36445-G			
	40		36447-G			
	50		36451-G			
	63		36455-G			
	80		36459-G			
1	100	500V	36463-G	120,000	3	
	125		36465-G			
	160		36469-G			
	200		36471-G			
	224		36559-G			80,000
	250		36563-G			
315	36565-G					
355	36569-G					
2	400	690V	36573-G	80,000	3	
	500		36575-G			
	125		36579-G			
	160		36581-G			
	200		36665-G			120,000
	224		36669-G			
250	36671-G					
315	36673-G					
355	36675-G					
3	400	500V	36679-G	120,000	3	
	500		36681-G			
	630		36683-G			
	315		36687-G			
	355		36779-G			80,000
	400		36781-G			
500	36783-G					
630	36787-G					
3	630	500V	36789-G	120,000	3	

Dimensions

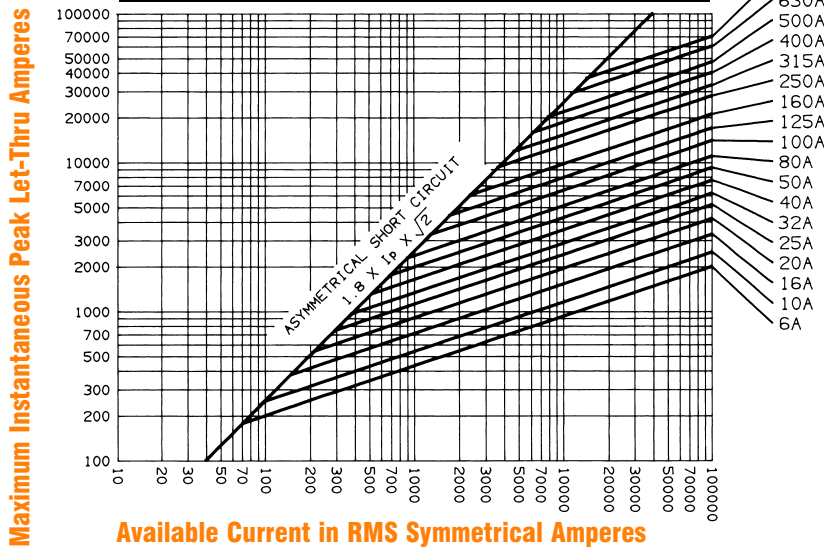


	0	1	2	3
A	124.5	134.5	150	150
B	66	67	67	67
C	39	40	56	69
D	49	55	62.5	76
E	14.5	16	19	24
F	15.5	15.5	15.5	15.5
G	14	14.5	14.5	14.5
H	15	20	26	32
I	6	6	6	6
J	14	14	15	16
K	10	10	10	10
L	59	65	72.5	86
M	60	61	61	61
N	3	3	3	3
O	41.5	45	-	-
P	47	52	60	60

Melting Time - Current Data — 6-800 Amperes



Peak Let-Through Current Data — 6-800 Amperes



Striker



gG

NH DIMENSION KNIFE-BLADE FUSE-LINKS

Power Loss (Watts) at Rated Current without striker

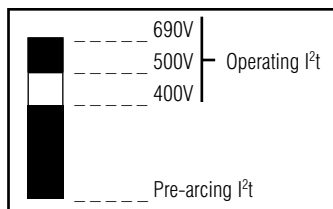
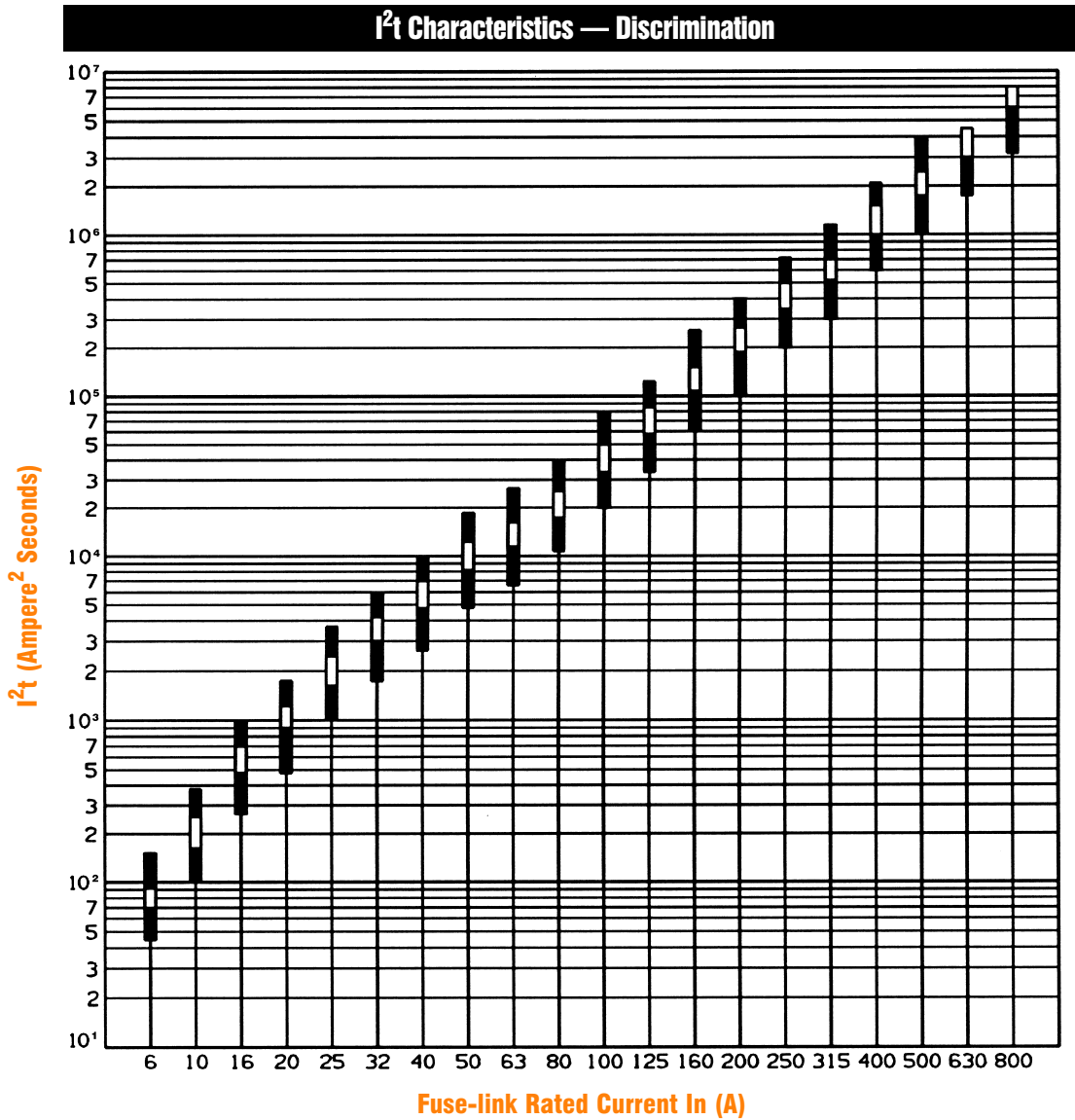
RATED In CURRENT (A)	SIZE					
	000	00	0	1	2	3
2	1.9					
4	1.5					
6	1.6	1.6	2.0			
10	1.1	1.1	1.4			
16	1.6	1.8	2.2	2.2		
20	2.3	2.3	2.9	2.9		
25	2.4	2.4	3.0	3.0		
32	3.1	3.1	3.8	3.8	3.8	
35	3.0	3.0	3.7	3.7	3.7	
40	3.7	3.7	4.6	4.6	4.6	
50	3.6	3.6		5.0	5.0	
63	4.4	4.4		5.9	5.9	
80			8.3	8.1	8.1	
100		10.0	11.3	11	11.0	
125				12	12.0	
160				15	15.0	
200				19	19.0	
225				21.3	21.3	21.3
250				22.6	22.6	22.6
315					25.4	28.0
355					28.5	

RATED In CURRENT (A)	00	0	1	2	3	4
	100A	160A	250A	400A	630A	1000A
VDE 0660 (500V) IEC 269-2-1 (690V) UNE 21103 (500V) NFC 63210 (500V)	12.0 W	25 W	32 W	45 W	60 W	90 W
VDE 0636 (690V)	10.0 W	-	23 W	34 W	48 W	70 W
VDE 0636 (500V)	7.5 W	16 W	23 W	34 W	48 W	110 W
IEC 269 (500V)	7.5 W	16 W	23 W	34 W	48 W	90 W
UNESA (500V)	-	17 W	26 W	32 W	48 W	-
WDE W (500V)	7.5 W	16 W	21 W	32 W	42 W	-

Typical values allowed by the standards.

gG

NH DIMENSION KNIFE-BLADE FUSE-LINKS



F

aM

NH DIMENSION KNIFE-BLADE FUSE-LINKS

Catalog Numbers, Ratings — aM



SIZE	RATED In CURRENT (A)	RATED VOLTAGE	CATALOG NUMBER	INTERRUPT. RATING (A)	STD. PACK
000	2	690V	2C613	80,000	3
	4		2C619		3
	6		2C623		3
	10		2C631		3
	16		2C635		3
	20		2C637		3
	25		2C639		3
	32		2C643		3
	35		2C645		3
	40		2C647		3
	50		2C651		3
	63		2C655		3
			80		500V
00	50	690V	2C751	80,000	3
	63		2C755		3
	80		2C759		3
	100		2C763		3
	125		2C765		3
	160		500V		2B769
0	6	690V	2C023	80,000	3
	10		2C031		3
	16		2C035		3
	20		2C037		3
	25		2C039		3
	32		2C043		3
	35		2C045		3
	40		2C047		3
	50		2C051		3
	63		2C055		3
	80		2C059		3
	100		2C063		3
	125		2C065		3
	160		2C069		3
	200	500V	2B071	120,000	3
1	16	690V	2C135	80,000	3
	20		2C137		3
	25		2C139		3
	32		2C143		3
	35		2C145		3
	40		2C147		3
	50		2C151		3
	63		2C155		3
	80		2C159		3

Microswitch — Sizes 000 to 3

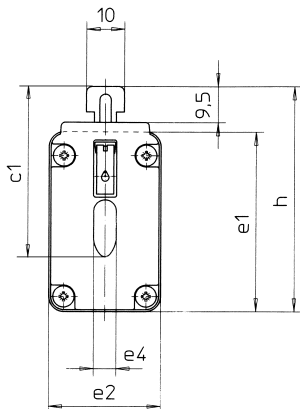
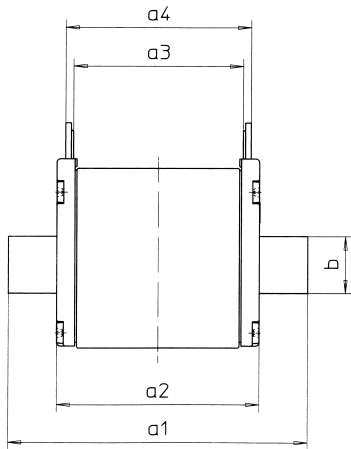
CATALOG NUMBER	REF. NUMBER	STD. PKG.
MS4L2-5B6+PRES*	F210156	3
MS4L2-5B2+PRES**	G210157	3

*6.3 mm clips. **2.8mm clips

aM

NH DIMENSION KNIFE-BLADE FUSE-LINKS

Catalog Numbers, Ratings — aM



SIZE	RATED In CURRENT (A)	RATED VOLTAGE	CATALOG NUMBER	INTERRUPT. RATING (A)	STD. PACK
1	100	690V	2C163	80,000	3
	125		2C165		3
	160		2C169		3
	200		2C171		3
	224		2C173		3
	250		2C175		3
2	315	500V	2B179	120,000	3
	35	690V	2C245	80,000	3
	40		2C247		3
	50		2C251		3
	63		2C255		3
	80		2C259		3
	100		2C263		3
	125		2C265		3
	160		2C269		3
	200		2C271		3
	224		2C273		3
	250		2C275		3
	315		2C279		3
	355		2C281		3
400	2C283	3			
3	500	500V	2B287	120,000	3
	250	690V	2C375	80,000	1
	300		2C377		1
	315		2C379		1
	355		2C381		1
	400		2C383		1
	425		2C385		1
	450		2C386		1
	500		2C387		1
	630		500V		2B389
800	400V	2A391		1	



Dimensions

SIZE	RATED CURRENT IN A	a ₁	a ₂	a ₃	a ₄	b	c ₁	e ₁	e ₂	e ₄	h
NH 690 V aM with VOLTAGE-CONDUCTING GRIP LUG											
SIZE 000	2-35A	79	53,8	45	49	15	35,8	40	20	6	47,8
SIZE 00	40-100A	79	53,8	45	49	15	35,8	48	30	6	47,8
SIZE 1	16-160A	135	75	64	68	20	40	44	30	6	52
SIZE 1	200A	135	75	64	68	20	40	47	39	6	52
SIZE 2	35-100A	150	75	64	68	26	48	44	30	6	60
SIZE 2	125-315A	150	75	64	68	26	60	47	39	6	72
SIZE 3	250/300A	150	75	64	68	26	60	47	39	6	72
SIZE 3	315-425A	150	75	64	68	33	60	58	51	6	72
SIZE 3	500A	150	75	64	68	33	60	70	64	6	72

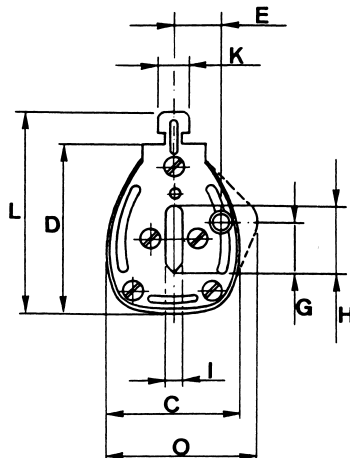
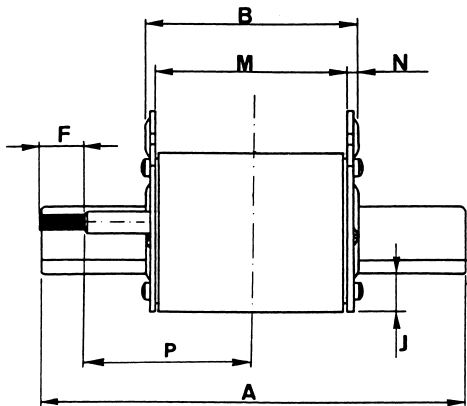
aM with striker NH DIMENSION KNIFE-BLADE FUSE-LINKS



Catalog Numbers, Ratings — aM with Striker

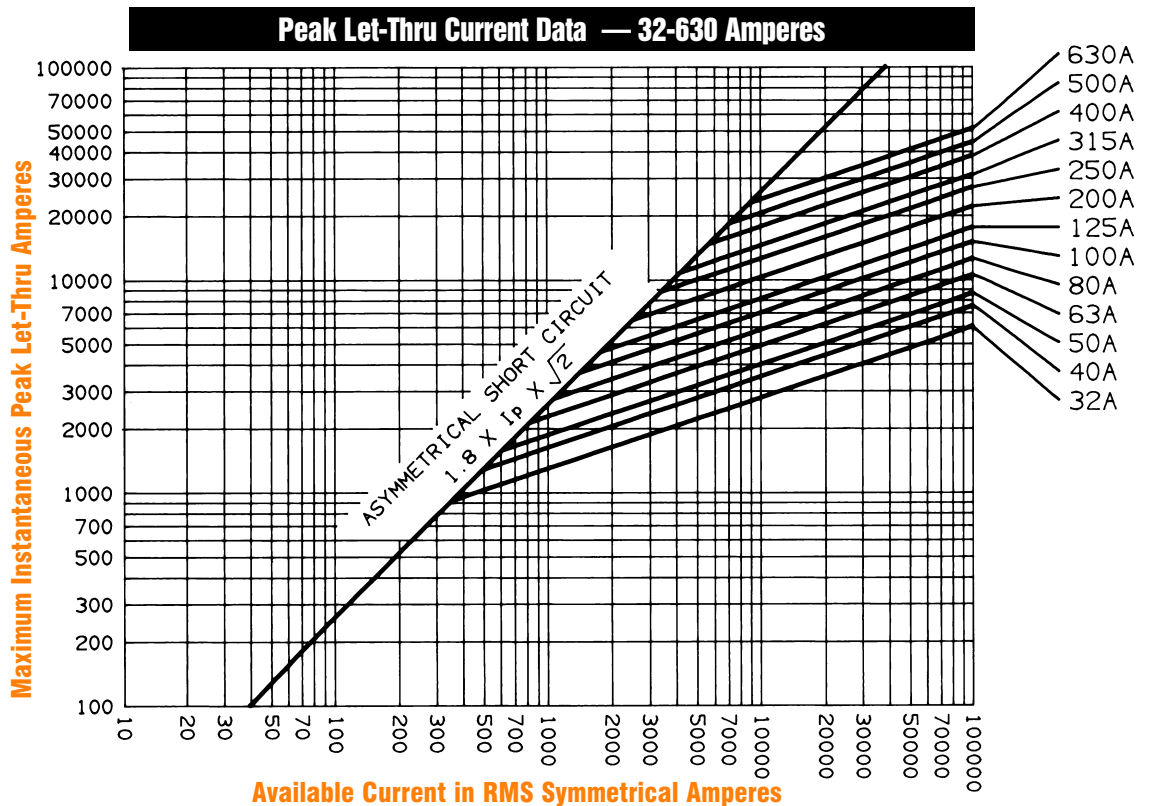
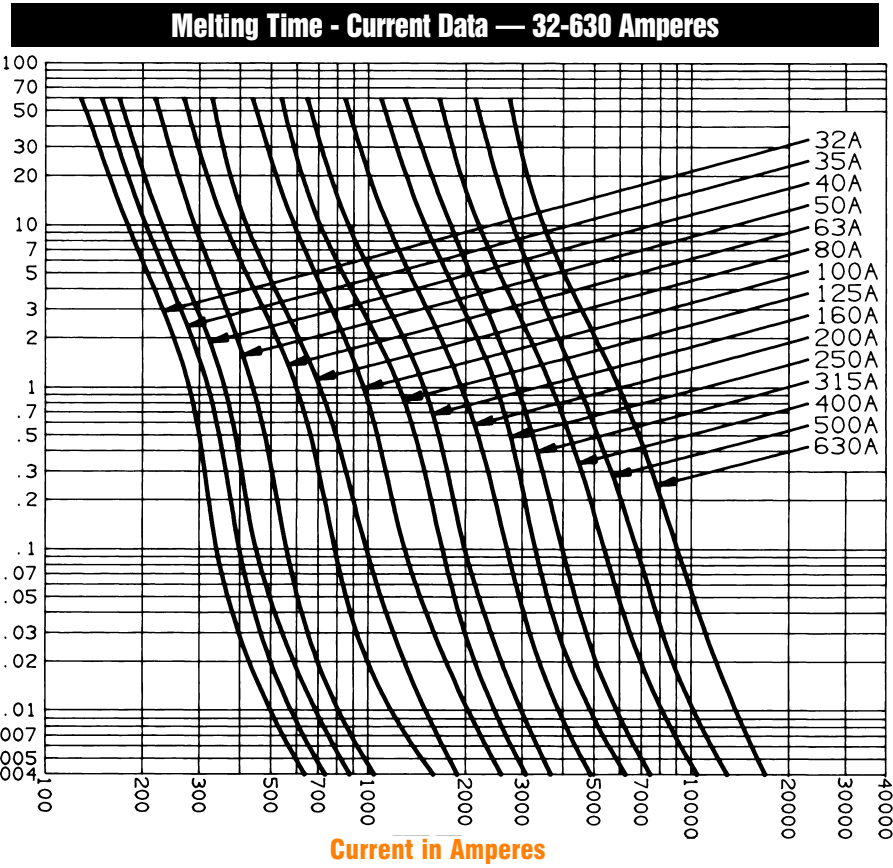
SIZE	RATED In CURRENT (A)	RATED VOLTAGE	CATALOG NUMBER	INTERRUPTING RATING (A)	STANDARD PACK			
0S	32	690V	37443-G	80,000	5			
	40		37447-G					
	50		37451-G					
	63		37455-G					
	80		37459-G					
	100		37463-G					
	125		37465-G					
0	160	500V	37469-G	80,000	5			
	200		37471-G					
	80		690V			37559-G	80,000	5
	100					37563-G		
	125					37565-G		
	160					37569-G		
	200					37571-G		
224	37573-G							
250	500V	37575-G						
2	125	690V	37665-G	80,000	5			
	160		37669-G					
	200		37671-G					
	224		37673-G					
	250		37675-G					
	315		37679-G					
	355		37681-G					
	400		37683-G					
	500		500V			37687-G		
	3		315			690V	37779-G	80,000
355		37781-G						
400		37783-G						
500		37787-G						
630		500V	37789-G	120,000				

Striker



Dimensions

	0	1	2	3
A	124.5	134.5	150	150
B	66	67	67	67
C	39	40	56	69
D	49	55	62.5	76
E	14.5	16	19	24
F	15.5	15.5	15.5	15.5
G	14	14.5	14.5	14.5
H	15	20	26	32
I	6	6	6	6
J	14	14	15	16
K	10	10	10	10
L	59	65	72.5	86
M	60	61	61	61
N	3	3	3	3
O	41.5	45	-	-
P	47	52	60	60

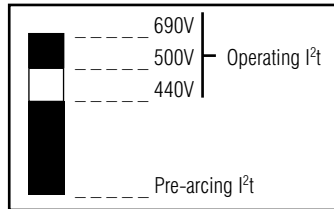


aM

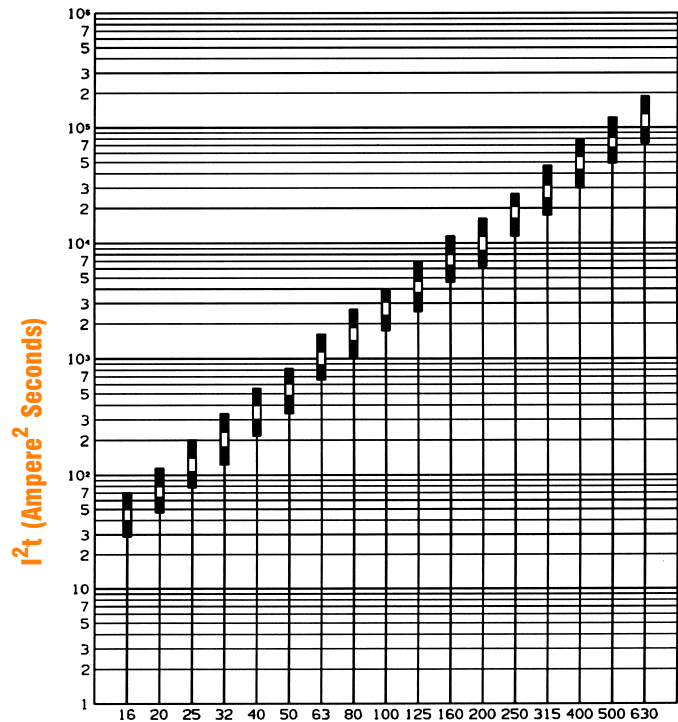
NH DIMENSION KNIFE-BLADE FUSE-LINKS

Power Loss (Watts) at Rated Current without striker

RATED CURRENT In (A)	SIZE				
	00	0/0S	1	2	3
16	1.1W				
20	1.4W				
25	1.7W				
32	2.2W	2.2W			
35	2.4W	2.4W			
40	2.8W	2.8W			
50	3.6W	3.6W	3.6W		
63	4.6W	4.6W	4.6W	4.6W	
80	6.0W	6.0W	6.0W	6.0W	
100	7.5W	7.5W	7.5W	7.5W	
125	9.5W	9.5W	9.5W	9.6W	
160	10.7W	12.0	12.7W	12.7W	
200		18.0	16.4W	16.4W	
224			21.5W	18.7W	
250			29.0W	21.5	
315				29.0	25.0W
355				32.0	29.0W
400				34.0	34.0W
425					38.5W
500				45.0W	45.0W
630					60.0W



I²t Characteristics — Discrimination



Fuse-link Rated Current In (A)