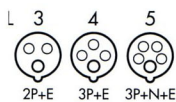


POLES



110V
50-60 Hz

230V
50-60 Hz

400V
50-60 Hz

500V
50-60 Hz

100-300
Hz
> 50V

301-500
Hz
> 50V

Std Pack

weight

Ampere

Poles

3pol. 4pol. 5pol. 3pol. 4pol. 5pol. 3pol. 4pol. 5pol. 3pol. 4pol. 5pol. 3pol. 4pol. 5pol. 3pol. 4pol. 5pol.
4h 4h 4h 6h 9h 9h 9h 6h 6h 7h 7h 7h 10h 10h 10h 2h 2h 2h

Qty g/
each



TYP 16 0052

16	3		16 0048	16 0056				1	740
16	4		16 0053	16 0049	16 0057			1	770
16	5		16 0055	16 0052	16 0058			1	780



TYP 16 527

16	4		16 059	16 040	16 065			1	1170
16	5			16 527				1	1190



TYP 16 529

32	3	16 0094	16 595					1	1330
32	4		16 932	16 594	16 826			1	1340
32	5			16 529				1	1350



ATYP 16 602

63	3	16 125	16 606					1	2930
63	4		16 934	16 604	16 828			1	2960
63	5			16 602				1	3100



TYP 16 622

125	3		16 620					1	5700
125	4		16 930	16 621	16 831			1	5800
125	5			16 622				1	5900

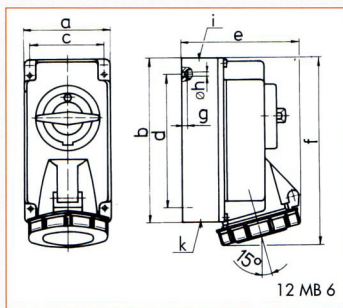
SURFACE MOUNTING SOCKET OUTLET Switched, Interlocked

IEC 60309, EN 60309, VDE 0623, BS-EN 60309

Protection degree IP 67

Enclosure and insert out of high-quality plastic.

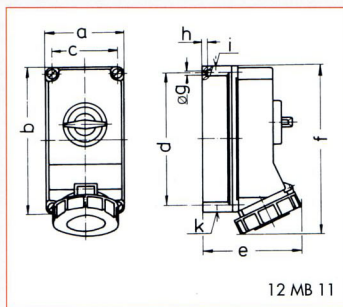
The hinged cover opens from the front which reduces the risk of dust and moisture getting inside the cover.



AMPERE POLES	3	4	5
a	90,0	90,0	90,0
b	170,0	170,0	170,0
c	77,0	77,0	77,0
d	137,5	137,5	137,5
e	108,0	115,0	121,0
f	191,5	191,5	191,5
g	6,0	6,0	6,0
h	5,5	5,5	5,5
i	M 20	M 20	M 20
k	M 20/25	M 20/25	M 20/25

Surface Mounting Socket Outlet

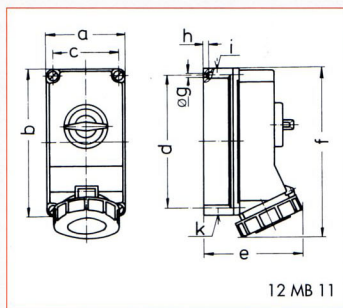
- switched
- in 0-position lockable
- with mechanical double interlocking
- watertight IP 67



AMPERE POLES	4	5
a	118,0	118,0
b	225,0	225,0
c	101,0	101,0
d	208,0	208,0
e	127,0	134,0
f	245,0	245,0
g	6,5	6,5
h	8,0	8,0
i	2 x M 25	2 x M 25
k	2 x M 25	2 x M 25

Surface Mounting Socket Outlet

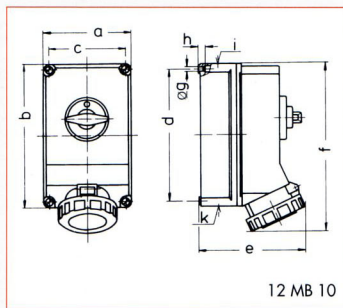
- switched
- in 0-position lockable
- with mechanical double interlocking
- watertight IP 67



AMPERE POLES	3	4	5
a	118,0	118,0	118,0
b	225,0	225,0	225,0
c	101,0	101,0	101,0
d	208,0	208,0	208,0
e	143,0	143,0	149,0
f	255,0	255,0	255,0
g	6,5	6,5	6,5
h	8,0	8,0	8,0
i	2 x M 25	2 x M 25	2 x M 25
k	2 x M 25	2 x M 25	2 x M 25

Surface Mounting Socket Outlet

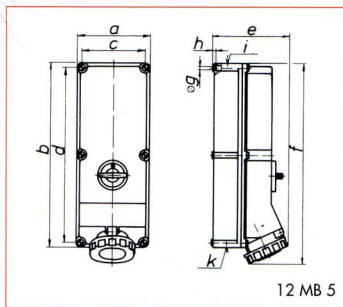
- switched
- in 0-position lockable
- with mechanical double interlocking
- watertight IP 67



AMPERE POLES	3	4	5
a	160,0	160,0	160,0
b	260,0	260,0	260,0
c	140,0	140,0	140,0
d	240,0	240,0	240,0
e	195,0	195,0	195,0
f	304,0	304,0	304,0
g	8,1	8,1	8,1
h	10,0	10,0	10,0
i	M 40	M 40	M 40
k	M 32/40	M 32/40	M 32/40

Surface Mounting Socket Outlet

- switched
- in 0-position lockable
- with mechanical double interlocking
- Kontex Plus
- box terminals
- watertight IP 67



AMPERE POLES	3	4	5
a	180,0	180,0	180,0
b	460,0	460,0	460,0
c	160,0	160,0	160,0
d	440,0	440,0	440,0
e	208,0	208,0	208,0
f	510,0	510,0	510,0
g	8,3	8,3	8,3
h	6,5	6,5	6,5
i	M 40	M 40	M 40
k	M 40/50	M 40/50	M 40/50

Surface Mounting Socket Outlet

- switched
- in 0-position lockable
- with mechanical double interlocking
- Kontex Plus
- box terminals
- watertight IP 67