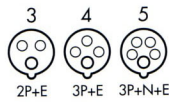


POLES



110V
50-60 Hz

230V
50-60 Hz

400V
50-60 Hz

500V
50-60 Hz

100-300 Hz
> 50V

301-500 Hz
> 50V

Std Pack

weight

Ampere

Poles

3pol. 4pol. 5pol. 3pol. 4pol. 5pol. 3pol. 4pol. 5pol. 3pol. 4pol. 5pol. 3pol. 4pol. 5pol. 3pol. 4pol. 5pol.
4h 4h 4h 6h 9h 9h 9h 6h 6h 7h 7h 7h 10h 10h 10h 2h 2h 2h

Qty

g/
each



TYP 31 243

16	3	31 0017	31 240	31 0018	31 0019			10	220
16	4	31 0020	31 302	31 241	31 0021	31 0022	31 0023	10	230
16	5	31 0024	31 0025	31 243	31 0026			10	305
32	3	31 0027	31 0028	31 0029				10	385
32	4	31 0030	31 0031	31 0032	31 0033	31 0034	31 0035	10	400
32	5	31 0036	31 0037	31 0038	31 0039			10	475



TYP 31 247

16	3	31 298	31 875	31 299	31 457			10	220
16	4	31 301	31 0043	31 876	31 242	31 303	31 304	10	230
16	5	31 305	31 306	31 853	31 501			10	305
32	3	31 307	31 244	31 308				10	385
32	4	31 309	31 310	31 245	31 246	31 311	31 312	10	400
32	5	31 313	31 314	31 247	31 207			10	475



TYP 31 24

63	3	31 80	31 81	31 82	31 724	31 605		5	1000
63	4	31 83	31 84	31 85	31 86	31 504	31 251	5	1030
63	5	31 87	31 88	31 24	31 082	31 505	31 183	5	1090



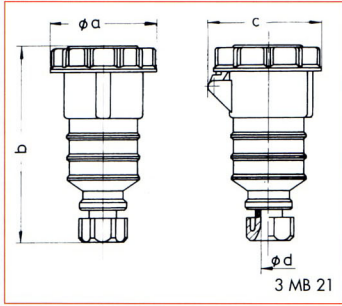
TYP 31 99

125	3	31 90	31 91	31 92				5	1550
125	4	31 93	31 94	31 95	31 96	31 611		5	1690
125	5	31 97	31 98	31 99	31 417			5	1810



TYP 31 106

125	4	31 100	31 101	31 102	31 103	31 506	31 205	5	1680
125	5	31 104	31 105	31 106	31 087	31 507	31 080	5	1800

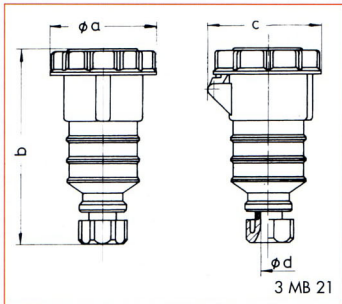


AMPERE	16			32		
POLES	3	4	5	3	4	5
a Ø	70,5	78,0	86,5	94,0	94,0	101,5
b	153,0	153,0	159,0	188,0	188,0	188,0
c	77,0	83,0	93,0	99,0	99,0	107,0
d Ø	16,0	16,0	16,0	22,5	22,5	22,5
Conductor mm ² min.	1,5	1,5	1,5	2,5	2,5	2,5
Conductor mm ² max.	4	4	4	6	6	6

QUICK CONNECT[®]
BY BALS **NEW**

Connector

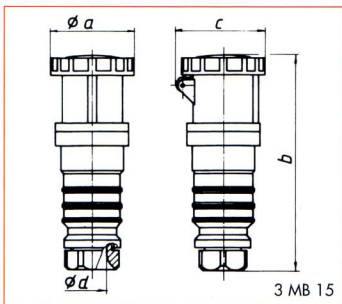
- Screwless terminals (Cage Clamp - see page 1)
- positioning aid on the insert
- high temperature resistant contact carrier
- nickel plated contacts
- watertight IP 67



AMPERE	16			32		
POLES	3	4	5	3	4	5
a Ø	70,5	78,0	86,5	94,0	94,0	101,5
b	153,0	153,0	159,0	188,0	188,0	188,0
c	77,0	83,0	93,0	99,0	99,0	107,0
d Ø	16,0	16,0	16,0	22,5	22,5	22,5
Conductor mm ² min.	1,5	1,5	1,5	2,5	2,5	2,5
Conductor mm ² max.	4	4	4	6	6	6

Connector

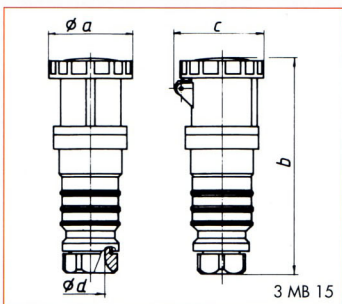
- positioning aid on the insert
- high temperature resistant contact carrier
- nickel plated contacts
- watertight IP 67



AMPERE	63		
POLES	3	4	5
a Ø	110,0	110,0	110,0
b	272,0	272,0	272,0
c	113,5	113,5	113,5
d Ø	36,5	36,5	36,5
Conductor mm ² min.	4	4	4
Conductor mm ² max.	16	16	16

Connector

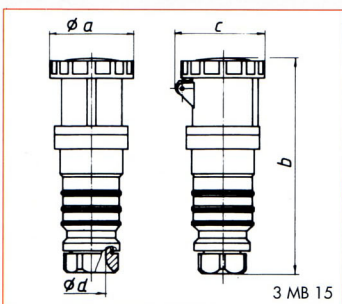
- with cable gland
- high temperature resistant contact carrier
- Kontex Plus
- box terminals
- nickel plated contacts
- for cable Ø up to 36,5 mm max
- watertight IP 67



AMPERE	125		
POLES	3	4	5
a Ø	126,0	126,0	126,0
b	308,0	308,0	308,0
c	128,0	128,0	128,0
d Ø	44,0	44,0	44,0
Conductor mm ² min.	25	25	25
Conductor mm ² max.	50	50	50

Connector

- with cable gland
- high temperature resistant contact carrier
- Kontex Plus
- box terminals
- nickel plated contacts
- for cable Ø up to 44 mm max
- watertight IP 67



AMPERE	125	
POLES	4	5
a Ø	126,0	126,0
b	308,0	308,0
c	128,0	128,0
d Ø	50,0	50,0
Conductor mm ² min.	25	25
Conductor mm ² max.	50	50

Connector

- with cable gland
- high temperature resistant contact carrier
- Kontex Plus
- box terminals
- nickel plated contacts
- for cable Ø up to 50 mm max
- watertight IP 67