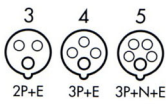


POLES



**110 V**  
50-60 Hz

**230 V**  
50-60 Hz

**400 V**  
50-60 Hz

**500 V**  
50-60 Hz

**100-300 Hz**  
> 50 V

**301-500 Hz**  
> 50 V

Std Pack weight

Ampere

Poles

3pol. 4pol. 5pol. 3pol. 4pol. 5pol. 3pol. 4pol. 5pol. 3pol. 4pol. 5pol. 3pol. 4pol. 5pol. 3pol. 4pol. 5pol.  
4h 4h 4h 6h 9h 9h 9h 6h 6h 7h 7h 7h 10h 10h 10h 2h 2h 2h

Qty g/  
each



TYP 13 745

16	3	13 733	<b>13 734</b>	13 735		13 736		10	165
16	4	13 737	13 738	<b>13 739</b>	13 740	13 741	13 742	10	190
16	5	13 743	13 744	<b>13 745</b>	13 746	13 747	13 748	10	215
32	3	13 749	<b>13 750</b>	13 751		13 752	13 753	10	260
32	4	13 754	13 755	<b>13 756</b>	13 757	13 758	13 759	10	275
32	5	13 760	13 761	<b>13 762</b>	13 763	13 764	13 765	10	290



TYP 13 67

16	3	13 56	<b>13 57</b>	13 58		13 259	13 258	10	155
16	4	13 59	13 60	<b>13 61</b>	13 62	13 63	13 64	10	195
16	5	13 65	13 66	<b>13 67</b>				10	210



TYP 13 70

16	3	13 71	<b>13 72</b>	13 73		13 265		10	165
16	4	13 74	13 75	<b>13 76</b>	13 77	13 78	13 79	10	190
16	5	13 80	13 81	<b>13 82</b>	13 044	13 379	13 380	10	215
32	3	13 023	<b>13 024</b>	13 025		13 264	13 432	10	260
32	4	13 026	13 027	<b>13 028</b>	13 029	13 030	13 031	10	275
32	5	13 68	13 69	<b>13 70</b>	13 376	13 377	13 378	10	290



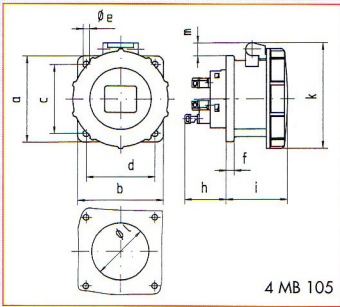
TYP 13 104

63	3	13 95	<b>13 96</b>	13 97				5	660
63	4	13 98	13 99	<b>13 100</b>	13 101			5	740
63	5	13 102	13 103	<b>13 104</b>				5	800



TYP 13 451

125	3	13 445	<b>13 452</b>					5	1090
125	4		13 449	<b>13 447</b>	13 448			5	1250
125	5			<b>13 451</b>				5	1370

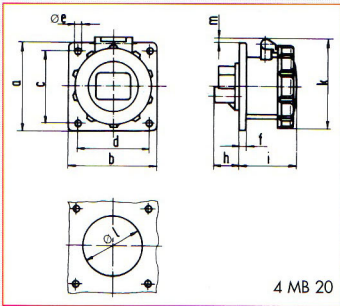


4 MB 105

AMPERE	16			32		
POLES	3	4	5	3	4	5
a	75,0	75,0	75,0	75,0	75,0	75,0
b	75,0	75,0	75,0	75,0	75,0	75,0
c	60,0	60,0	60,0	60,0	60,0	60,0
d	60,0	60,0	60,0	60,0	60,0	60,0
e ∅	5,5	5,5	5,5	5,5	5,5	5,5
f	7,0	7,0	7,0	8,0	8,0	8,0
h	35,5	35,5	35,5	50,0	50,0	50,0
i	57,0	58,0	57,0	65,0	65,0	65,0
k	76,0	83,0	93,0	100,0	100,0	106,0
l ∅	45,0	45,0	55,0	60,0	60,0	60,0
m	3,5	7,0	11,5	12,0	12,0	17,0
Conductor mm <sup>2</sup> min.	1,5	1,5	1,5	2,5	2,5	2,5
Conductor mm <sup>2</sup> max.	4	4	4	10	10	10

**Panel Mounting Socket Outlet**

- Screwless terminals (Cage Clamp - see page 1)
- Kontex-Plus (see page 8)
- flange 75 x 75 mm
- watertight IP 67

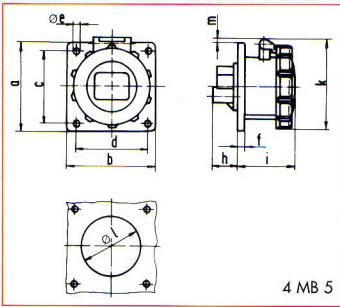


4 MB 20

AMPERE	16				
POLES	3	4	5		
a	62,0	72,0	72,0		
b	62,0	65,0	65,0		
c	47,0	52,0	52,0		
d	47,0	52,0	52,0		
e ∅	5,5	5,5	5,5		
f	7,0	7,0	7,0		
h	17,0	26,0	17,0		
i	57,0	58,0	57,0		
k	76,0	83,0	93,0		
l ∅	45,0	45,0	55,0		
m	10,0	9,0	13,0		
Conductor mm <sup>2</sup> min.	1,5	1,5	1,5		
Conductor mm <sup>2</sup> max.	4	4	4		

**Panel Mounting Socket Outlet**

- flange 62 x 62 mm at 16A
- 3P, 72 x 65 mm at 16A
- 4 and 5P
- watertight IP 67

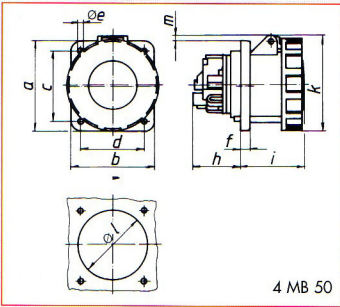


4 MB 5

AMPERE	16			32		
POLES	3	4	5	3	4	5
a	75,0	75,0	75,0	75,0	75,0	75,0
b	75,0	75,0	75,0	75,0	75,0	75,0
c	60,0	60,0	60,0	60,0	60,0	60,0
d	60,0	60,0	60,0	60,0	60,0	60,0
e ∅	5,5	5,5	5,5	5,5	5,5	5,5
f	7,0	7,0	7,0	8,0	8,0	8,0
h	17,0	26,0	17,0	36,0	36,0	19,0
i	57,0	58,0	57,0	65,0	65,0	65,0
k	76,0	83,0	93,0	100,0	100,0	106,0
l ∅	45,0	45,0	55,0	60,0	60,0	60,0
m	3,5	7,0	11,5	12,0	12,0	17,0
Conductor mm <sup>2</sup> min.	1,5	1,5	1,5	2,5	2,5	2,5
Conductor mm <sup>2</sup> max.	4	4	4	10	10	10

**Panel Mounting Socket Outlet**

- flange 75 x 75 mm
- watertight IP 67

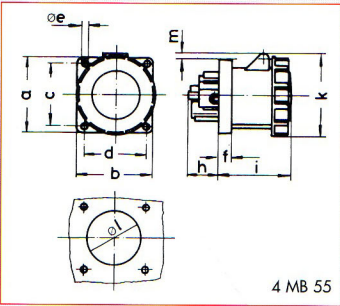


4 MB 50

AMPERE	63				
POLES	3	4	5		
a	107,0	107,0	107,0		
b	100,0	100,0	100,0		
c	85,0	85,0	85,0		
d	77,0	77,0	77,0		
e ∅	6,5	6,5	6,5		
f	12,0	12,0	12,0		
h	56,5	56,5	56,5		
i	76,0	76,0	76,0		
k	113,0	113,0	113,0		
l ∅	88,0	88,0	88,0		
m	7,0	7,0	7,0		
Conductor mm <sup>2</sup> min.	6	6	6		
Conductor mm <sup>2</sup> max.	25	25	25		

**Panel Mounting Socket Outlet**

- flange 107 x 100 mm
- high temperature resistant contact carrier
- Kontex Plus
- box terminals
- watertight IP 67



4 MB 55

AMPERE	125				
POLES	3	4	5		
a	120,0	120,0	120,0		
b	120,0	120,0	120,0		
c	100,0	100,0	100,0		
d	100,0	100,0	100,0		
e ∅	6,5	6,5	6,5		
f	21,0	21,0	21,0		
h	50,0	50,0	50,0		
i	117,0	117,0	117,0		
k	129,0	129,0	129,0		
l ∅	84,0	84,0	84,0		
m	6,0	6,0	6,0		
Conductor mm <sup>2</sup> min.	25	25	25		
Conductor mm <sup>2</sup> max.	70	70	70		

**Panel Mounting Socket Outlet**

- flange 120 x 120 mm
- high temperature resistant contact carrier
- nickel plated contacts
- Kontex Plus
- box terminals
- watertight IP 67