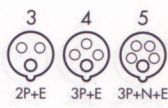


POLES



**110 V**  
50-60 Hz

**230 V**  
50-60 Hz

**400 V**  
50-60 Hz

**500 V**  
50-60 Hz

**100-300 Hz**  
> 50 V

**301-500 Hz**  
> 50 V

Std Pack

weight

Ampere

Poles

3pol. 4pol. 5pol. 3pol. 4pol. 5pol. 3pol. 4pol. 5pol. 3pol. 4pol. 5pol. 3pol. 4pol. 5pol.  
4h 4h 4h 6h 9h 9h 9h 6h 6h 7h 7h 7h 10h 10h 10h 2h 2h 2h

Qty weight g/ each



TYP 12 757

16	3			<b>12 749</b>														10	180
16	4			12 863	<b>12 753</b>													10	190
16	5				<b>12 757</b>													10	200
32	3			<b>12 761</b>														10	235
32	4			12 763	<b>12 764</b>													10	245
32	5				<b>12 768</b>													10	250



TYP 12 078

16	3	12 079	<b>12 080</b>	12 081														10	180
16	4			<b>12 500</b>														10	190
16	5	12 076	12 077	<b>12 078</b>														10	200
32	3	12 324	<b>12 310</b>															10	235
32	4		12 325	<b>12 311</b>	12 368													10	245
32	5	12 13	12 14	<b>12 15</b>	12 369	12 217												10	250



TYP 12 27

16	3	12 16	<b>12 17</b>	12 18		12 199	12 148	10	130
16	4	12 19	12 20	<b>12 21</b>	12 22	12 23	12 24	10	190
16	5	12 25	12 26	<b>12 27</b>	12 022	12 316	12 197	10	215
32	3	12 28	<b>12 29</b>	12 30		12 202	12 219	10	250
32	4	12 31	12 32	<b>12 33</b>	12 34	12 35	12 36	10	260
32	5	12 37	12 38	<b>12 39</b>	12 062	12 075	12 012	10	265



TYP 12 02

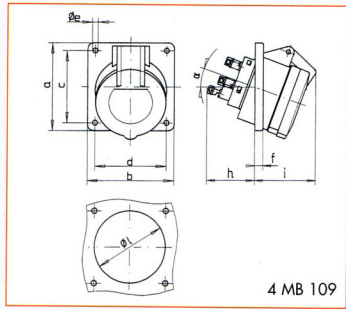
63	3	12 134	<b>12 135</b>	12 136		12 381	12 230	5	620
63	4	12 137	12 07	<b>12 01</b>	12 04	12 382	12 153	5	700
63	5	12 138	12 08	<b>12 02</b>	12 195	12 383		5	750



TYP 12 683

16	3	12 617	<b>12 942</b>	12 619				10	175
16	4	12 620	12 943	<b>12 944</b>	12 623	12 625	12 624	10	205
16	5	12 626	12 627	<b>12 683</b>	12 628			10	225
32	3	12 629	<b>12 630</b>	12 631				10	235
32	4	12 632	12 633	<b>12 634</b>	12 635	12 637	12 636	10	250
32	5	12 638	12 639	<b>12 640</b>	12 641			10	285

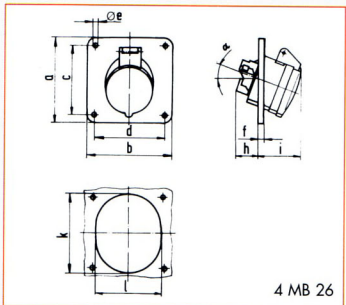




AMPERE POLES	16			32		
	3	4	5	3	4	5
a	85,0	85,0	85,0	85,0	85,0	85,0
b	85,0	85,0	85,0	85,0	85,0	85,0
c	70,0	70,0	70,0	70,0	70,0	70,0
d	70,0	70,0	70,0	70,0	70,0	70,0
e ∅	5,5	5,5	5,5	5,5	5,5	5,5
f	8,0	8,0	8,0	8,0	8,0	8,0
h	46,0	46,0	46,0	50,0	50,0	50,0
i	54,0	58,0	60,0	68,0	68,0	69,0
k	57,0	65,0	70,0	78,0	78,0	78,0
l	57,0	65,0	70,0	78,0	78,0	78,0
α	20°	20°	20°	20°	20°	20°
Conductor mm² min.	1,5	1,5	1,5	2,5	2,5	2,5
Conductor mm² max.	4	4	4	10	10	10

**Panel Mounting Socket Outlet**

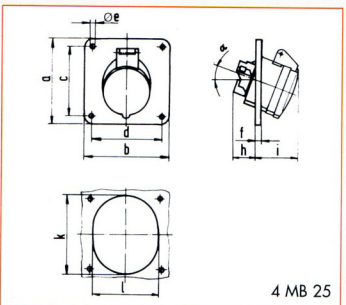
- Screwless terminals (Cage Clamp - see page 1)
- Kontex-Plus (see page 8)
- angled 20°
- flange 85 x 85 mm
- splashproof IP 44



AMPERE POLES	16			32		
	3	4	5	3	4	5
a	85,0	85,0	85,0	85,0	85,0	85,0
b	85,0	85,0	85,0	85,0	85,0	85,0
c	70,0	70,0	70,0	70,0	70,0	70,0
d	70,0	70,0	70,0	70,0	70,0	70,0
e ∅	5,5	5,5	5,5	5,5	5,5	5,5
f	8,0	8,0	8,0	8,0	8,0	8,0
h	30,0	30,0	30,0	50,0	50,0	34,0
i	48,0	50,0	54,0	63,0	63,0	60,0
k	57,0	65,0	70,0	78,0	78,0	78,0
l	57,0	65,0	70,0	78,0	78,0	78,0
α	20°	20°	20°	20°	20°	20°
Conductor mm² min.	1,5	1,5	1,5	2,5	2,5	2,5
Conductor mm² max.	4	4	4	10	10	10

**Panel Mounting Socket Outlet**

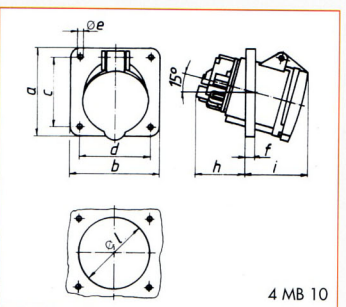
- angled 20°
- flange 85 x 85 mm
- splashproof IP 44



AMPERE POLES	16			32		
	3	4	5	3	4	5
a	74,0	100,0	100,0	100,0	100,0	100,0
b	62,0	92,0	92,0	92,0	92,0	92,0
c	60,0	85,0	85,0	85,0	85,0	85,0
d	52,0	77,0	77,0	77,0	77,0	77,0
e ∅	5,5	5,5	5,5	5,5	5,5	5,5
f	8,0	8,0	8,0	8,0	8,0	8,0
h	30,0	30,0	29,0	50,0	50,0	34,0
i	48,0	50,0	55,0	63,0	63,0	60,0
k	57,0	65,0	70,0	75,0	75,0	78,0
l	52,0	65,0	70,0	75,0	75,0	78,0
α	20°	20°	20°	20°	20°	20°
Conductor mm² min.	1,5	1,5	1,5	2,5	2,5	2,5
Conductor mm² max.	4	4	4	10	10	10

**Panel Mounting Socket Outlet**

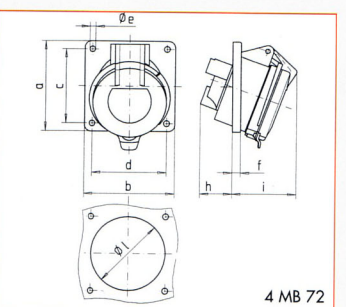
- angled 20°
- flange 74 x 62 mm at 16A  
3P, 100 x 92 mm for the other versions
- splashproof IP 44



AMPERE POLES	63					
	3	4	5			
a	114,0	114,0	114,0			
b	114,0	114,0	114,0			
c	90,0	90,0	90,0			
d	90,0	90,0	90,0			
e ∅	6,5	6,5	6,5			
f	12,0	12,0	12,0			
h	65,0	65,0	65,0			
i	67,5	67,5	67,5			
l	92,0	92,0	92,0			
Conductor mm² min.	6	6	6			
Conductor mm² max.	25	25	25			

**Panel Mounting Socket Outlet**

- angled 15°
- flange 114 x 114 mm
- high temperature resistant contact carrier
- Kontex Plus
- box terminals
- splashproof IP 44



AMPERE POLES	16			32		
	3	4	5	3	4	5
a	85,0	85,0	85,0	85,0	85,0	85,0
b	85,0	85,0	85,0	85,0	85,0	85,0
c	70,0	70,0	70,0	70,0	70,0	70,0
d	70,0	70,0	70,0	70,0	70,0	70,0
e ∅	5,5	5,5	5,5	5,5	5,5	5,5
f	8,0	8,0	8,0	8,0	8,0	8,0
h	30,0	30,0	30,0	50,0	50,0	34,0
i	54,0	58,0	60,0	63,0	63,0	69,0
l ∅	57,0	65,0	70,0	78,0	78,0	78,0
α	20°	20°	20°	20°	20°	20°
Conductor mm² min.	1,5	1,5	1,5	2,5	2,5	2,5
Conductor mm² max.	4	4	4	10	10	10

**Panel Mounting Socket Outlet**

- angled 20°
- flange 85 x 85 mm
- high temperature resistant contact carrier
- nickel plated contacts
- splashproof IP 55