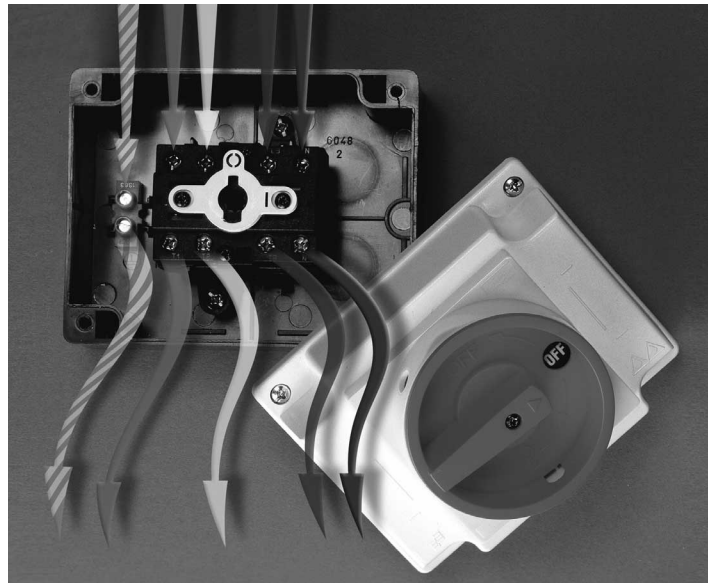


# VB Series

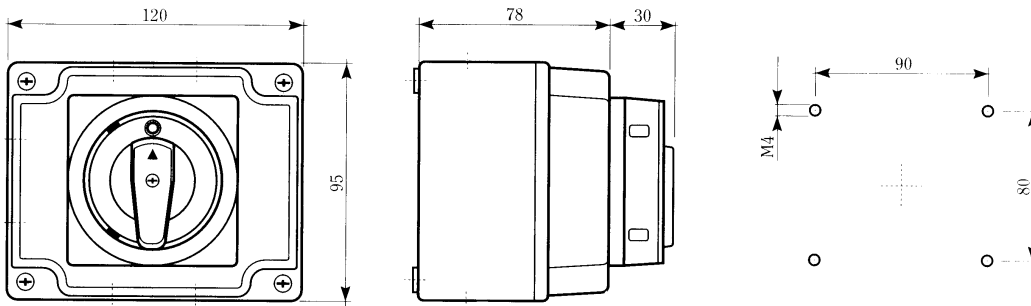
## ENCLOSED SWITCH DISCONNECTORS

- 20, 32, 40A AC21
- 3 or 4 pole
- IP65 protection
- Padlockable in OFF position
- Cover removable only in OFF position
- Easy to wire
- Earth/neutral terminal included
- Cable size up to 16mm<sup>2</sup> maximum
- Base mount switch body
- Conforms to IEC 947-3



**SWITCHES & SWITCHGEAR**

### DIMENSIONS (in mm)



### TECHNICAL DATA

Refer to KZ switch details page no. 151.

ORDER CODE	RATING AMPS	No of POLES
VB 203	20	3
VB 204	20	4
VB 323	32	3
VB 324	32	4
VB 403	40	3
VB 404	40	4