

## **MULTI-PURPOSE, RFI/EMI SHIELDED DIE-CAST ALUMINIUM BOX**



**These new die-cast aluminium boxes are the best quality and finish compared with other European and northern America made similar boxes.**

**Why don't you pay less to get better quality similar boxes? We think the decision is easy for you to make.**

**Aluminium die-cast boxes moulded to 380 aluminium alloy (BS1490 LM24)**

**Ideal for RF projects or for projects which are subject to weather.**

**Robust, Light weight and easy to machine.**

**Ideal for projects involving heat as the case itself makes an excellent heatsink**

**Material : 380 Die-Cast aluminium alloy**

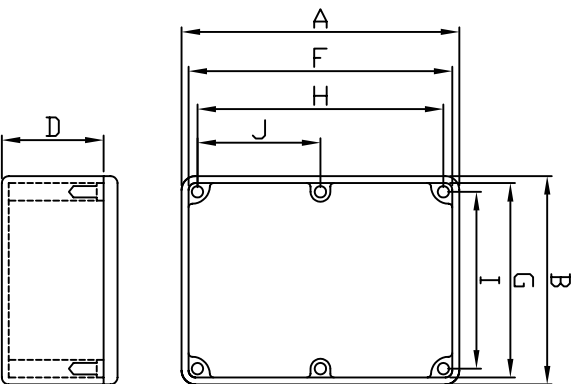
**Features : Close - fitting flanged LIDs**

**Excellent screening properties**

**Light weight and easy to machine**

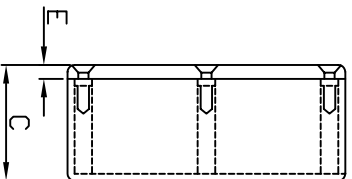
**Application :**   **Instrument**  
                          **Meter case**  
                          **Filter networks**  
                          **Junction box**  
                          **ideal for concealment or other interior user**

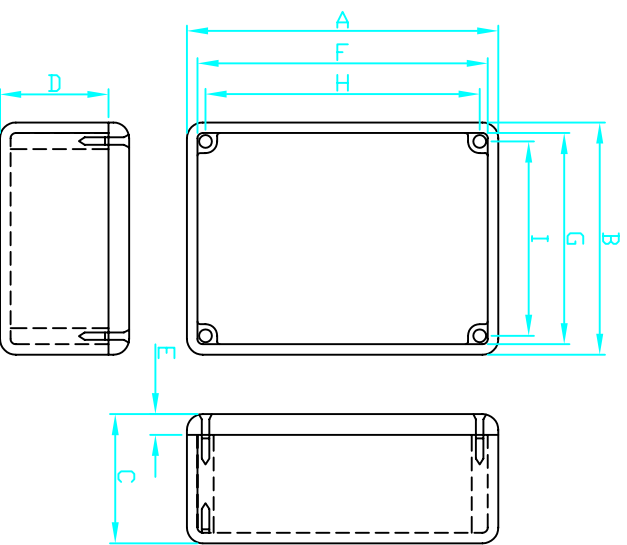
Stock No	External Dimensions (mm)	Stock No	External Dimensions (mm)
GO123	90 x38 x30	GO473	119 x 93.5 x 34
GO124	111 x 60 x30	GO474	120.5 x 120.5 x 59.2
GO234	119 x 93.5 x56.5	GO475	120.5 x 120.5 x 95.2
GO247	187 x118 x56.5	GO476	152.4 x 82.5 x 50.8
GO347	187 x118 x81.7	GO477	187 x 118 x 38
GO470	50.8 x50.8 x31.8	G0478	190.4 x 190.5 x 66.5
GO471	110 x 82.5 x 44.5	G0479	111 x 60 x 54
GO472	120.5 x 80 x 59.2		



DIMENSION IN mm

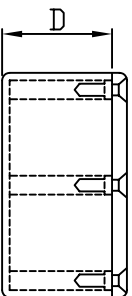
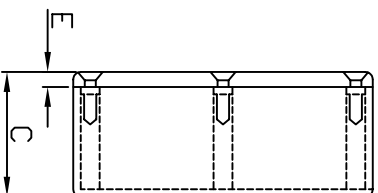
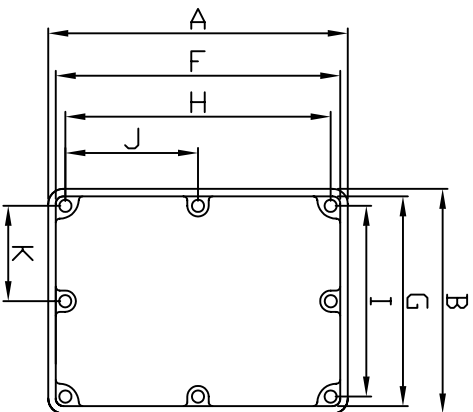
PART NO.	A	B	C	D	E	F	G	H	I	J
G0247	187.0	118.0	56.5	52.5	4.0	182.2	113.2	177.8	109.5	88.9
G0347	187.0	118.0	81.7	77.7	4.0	182.2	113.2	177.8	109.5	88.9
G0476	152.4	82.5	50.8	46.8	4.0	147.6	77.7	142.5	72.6	71.3
G0477	187.0	118.0	38.0	34.0	4.0	182.2	113.2	177.8	109.5	88.9





**DETAILED DIMENSION IN mm**

<b>PART NO.</b>	<b>A</b>	<b>B</b>	<b>C</b>	<b>D</b>	<b>E</b>	<b>F</b>	<b>G</b>	<b>H</b>	<b>I</b>
G0123	90.0	38.0	30.0	26.0	4.0	86.6	34.6	82.5	28.6
G0124	111.0	60.0	30.0	26.0	4.0	107.2	56.2	101.6	50.8
G0234	119.0	93.5	56.5	52.5	4.0	114.2	88.7	109.5	84.1
G0470	50.8	50.8	31.8	27.8	4.0	47.4	47.4	41.2	41.2
G0471	110.0	82.5	44.5	40.5	4.0	105.2	77.7	100.5	73.0
G0472	120.5	80.0	59.2	55.2	4.0	115.7	75.2	111.1	70.5
G0473	119.0	93.5	34.0	30.0	4.0	114.2	88.7	109.5	84.2
G0474	120.5	120.5	59.2	55.2	4.0	115.7	115.7	111.1	111.1
G0475	120.5	120.5	95.2	91.2	4.0	115.7	115.7	111.1	111.1
G0479	111.0	60.0	54.0	50.0	4.0	107.2	56.2	101.6	50.8



DIMENSION IN mm

PART NO.	A	B	C	D	E	F	G	H	I	J	K
G0478	190,5	190,5	66,5	62,5	4,0	185,7	185,7	180,6	180,6	90,3	90,3