

KZ, XA Series

TECHNICAL CHARACTERISTICS SWITCH-DISCONNECTORS

SWITCHES & SWITCHGEAR

		KZ16	KZ30	KZ40	XA16	XA25	XA32	XA050	XA063	XA080	XA100	
Rated insulation voltage u_i	IEC947-3	V	690	690	690	690	690	690	690	690	690	
	UL/CSA	V	-	600	600	600	-	600	-	600	600	
	CEE24	V	-	-	-	500	-	500	-	-	-	
Rated impul. withstand voltage u_{imp}	IEC947-3	kV	6	6	6	6	6	6	6	6	6	
Thermal current I_{th}	IEC947-3	A	25	30	40	25	32	40	50	63	80	100
	UL/CSA	A	-	30	40	20	-	40	-	80	100	100
Thermal current I_{th}	IEC947-3	A	25	30	40	16	25	32	50	63	80	80

RATED OPERATIONAL CURRENT I_e :

AC21A Resistive loads, including moderate overloads	IEC947-3	690V	A	20	30	40	20	25	40	50	63	80	100	
AC22A Mixed resistive and induct. loads, including moderate overloads				16	20	32	16	25	32	50	63	80	80	
AC23A Switching motor loads off and other highly inductive loads	IEC947-3	3 phase/ 3 pole	A/ kW	230V	22/5.5	24/7.5	33/10	24/7.5	28/9	33/10	40/11	47/15	58/18.5	70/22
				400V	18/9	20/11	33/18.5	24/13	27/15	33/18.5	40/22	47/25	54/30	63/35
				500V	14/9	16/11	32/22	16/13	22/15	32/18.5	32/22	43/30	54/37	65/45
				690V	14/11	16/15	23/22	16/15	20/18.5	23/22	19/18.5	19/18.5	24/22	31/30
AC3 Squirrel-cage motor: starting/ switching off during running	IEC947-3	3 phase/ 3 pole	A/ kW	230V	16/4	18/6	28/9	19/6	23/7.5	28/9	35/11	35/11	47/15	58/18.5
				400V	18/7.5	18/9.5	30/17	18/10	23/13	27/15	33/18.5	33/18.5	43/22	54/30
				500V	12/7.5	14/9.5	28/19	14/10	27/13	27/15	28/18.5	35/22	43/30	53/37
				690V	10/9	12/11.5	24/22	13/12	27/15	23/18.5	16/15	16/15	19/18.5	23/22
Resistive load (motor load)	CEE24		A	-	-	-	20(8)	-	32(10)	-	-	-	-	
Standard motor load	UL/CSA	3 phase/ 3 pole	HP	120Vac	2	3	5	2	3	5	-	-	-	-
				240Vac	5	7.5	10	5	7.5	10	-	20	25	25
				480Vac	7.5	10	15	10	10	15	-	30	40	50
				600Vac	7.5	10	15	10	15	15	-	30	50	50
		1 phase/ 2 pole	HP	120Vac	-	2	2	1.5	-	3	-	-	-	-
				240Vac	-	3	3	2	-	5	-	-	-	-
Rated short-time withstand current I_{cw} (1s)	IEC947-3		A	600	600	800	400	800	800	1500	1500	1500	1500	

Short circuit protection:

Conditional short circuit current	IEC947-3	500V	kA _{eff}	10	10	10	10	10	10	15	15	15	15
Max. fuse size gG characteristics			A	16	16	32	16	25	32	50	63	80	100
Rated short-circuit making capacity I_{cm}	IEC947-3		A	1500	1500	2000	1500	2000	2000	2000	2000	2500	2500
Rated breaking capacity AC23A (cosφ 0,45)	IEC947-3	230V	A	184	184	240	184	240	240	376	376	560	560
				400V	160	160	272	192	264	264	376	376	504

Permissible wire cage:

Clamping gauge	IEC 947-1		B6	B6	B6	B6	B6	B6	B9	B9	B9	B9
Flexible wire	mm ²		15-10	15-10	15-10	15-10	15-10	15-10	6-35	6-35	6-35	6-35
	AWG		16-8	16-8	16-8	16-8	16-8	16-8	10-1	10-1	10-1	10-1
Stranded wire	mm ²		15-16	15-16	15-16	15-16	15-16	15-16	10-50	10-50	10-50	10-50
	AWG		16-6	16-6	16-6	16-6	16-6	16-6	8-1	8-1	8-1	8-1
Ambient temperature	storage	C°	-30 + 70 -25 + 55									
	operation											
Resistance to climate condition	damp heat, constant IEC 68 part:		2 - 3 2 - 30									
	damp heat, cyclic IEC 68 part:											

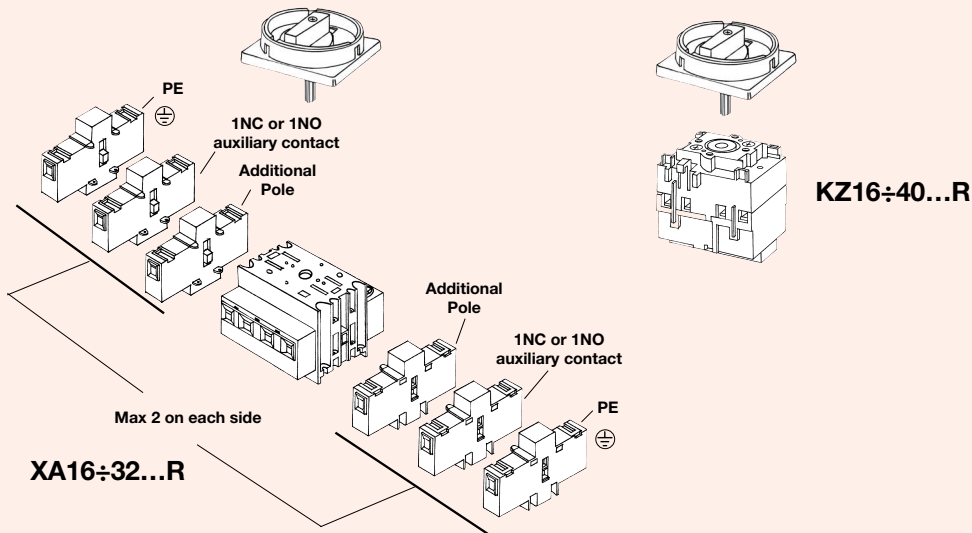
Auxiliary contact for series:

		XA16	XA25	XA32	XA050	XA063	XA080	XA100
Rated insulation voltage U_i	IEC947-3	V	690	690	690	690		
Thermal current I_{th}		A	20	32	40	12		

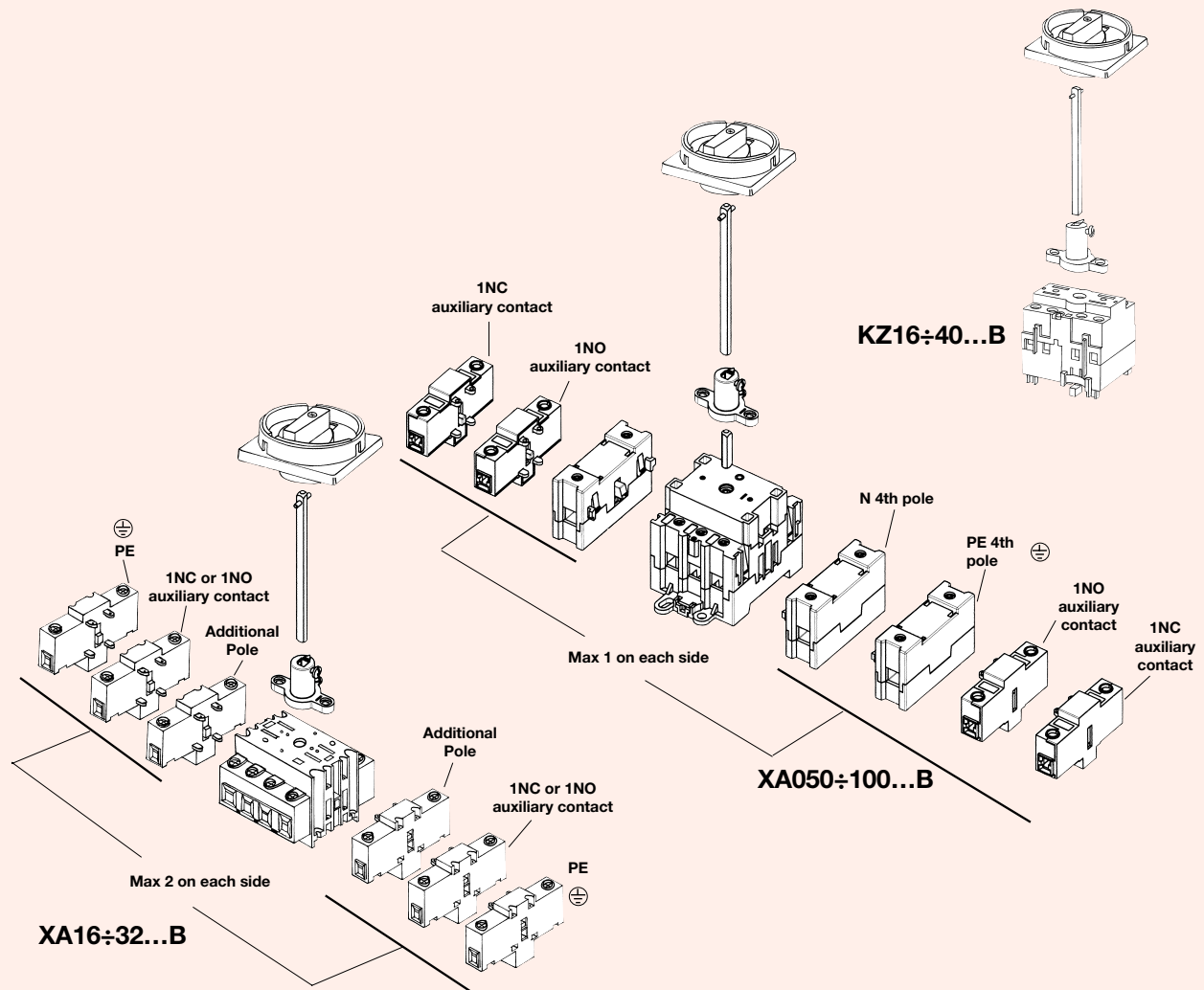
Rated operational current I_e :

AC15 Control of electromagnetic loads	IEC947-5	230V	A		6	6	6	6		
AC21A Resistive loads, including moderate overloads	IEC947-3	690V			20	25	40	-		

GENERAL VIEW - REAR MOUNTING



GENERAL VIEW - BASE MOUNTING



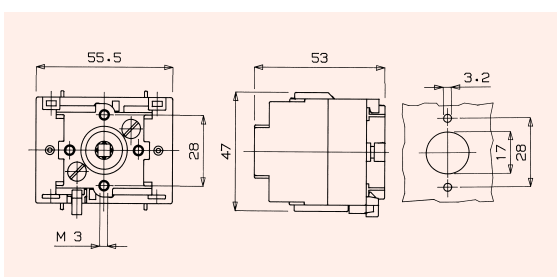
KZ, XA Series

REAR MOUNTING SWITCH-DISCONNECTORS

SWITCHES & SWITCHGEAR

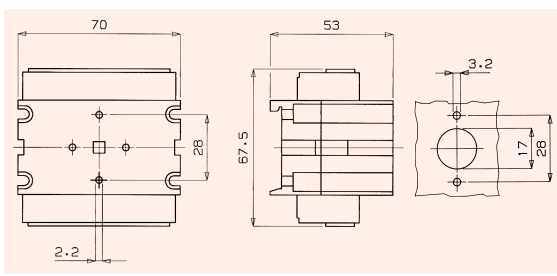
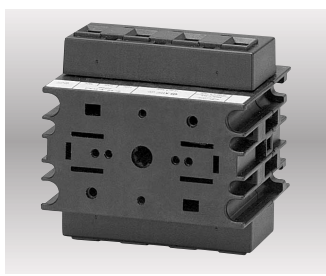
KZ16÷40

	KZ16	KZ30	KZ40
2 P.		KZ30R2000	KZ40R2000
3 P.	KZ16R3000	KZ30R3000	KZ40R3000
4 P.	KZ16R4000	KZ30R4000	KZ40R4000
	MOD.	MOD.	MOD.



XA16÷32

	XA16	XA25	XA32
2 P.	XA162R		XA322R
3 P.	XA163R	XA253R	XA323R
4 P.	XA164R	XA254R	XA324R
	MOD.	MOD.	MOD.



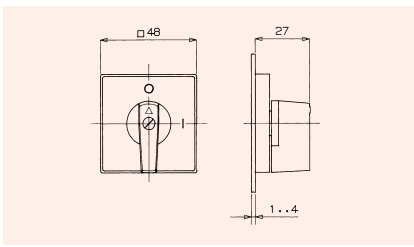
On-off switch with anodized grey plate, black knob.

■ 48 KZ-XA...R
YMQ01
MOD.



Emergency on-off switch with red knob and yellow plate.

■ 48 KZ-XA...R
YMQG1
MOD.



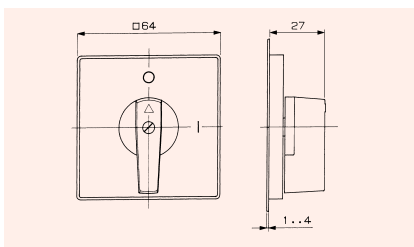
On-off switch with anodized grey plate, black knob.

■ 64 KZ-XA...R
YMQ06
MOD.



Emergency on-off switch with red knob and yellow plate.

■ 64 KZ-XA...R
YMQG6
MOD.



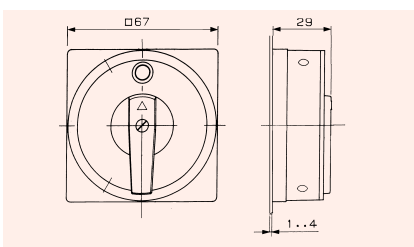
Main on-off switch with padlock facility in 0, black knob grey plate.

■ 67 KZ-XA...R
YMKN6
MOD.



Main emergency on-off switch with padlock facility in 0, red knob and yellow plate.

■ 67 KZ-XA...R
YMKL6
MOD.



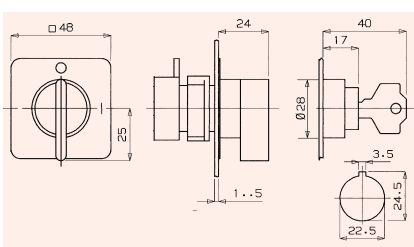
On-off switch for central fixing, black knob command.

■ 48 KZ-XA...R
YMM22
MOD.



On-off switch for central fixing, key command.

■ 48 KZ-XA...R
YMQ22
MOD.



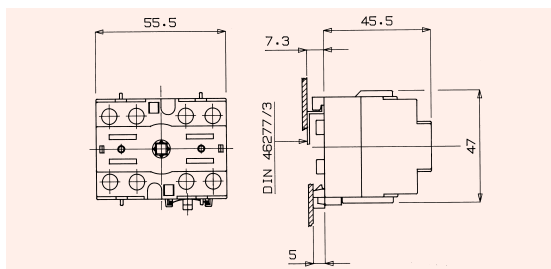
KZ, XA Series

BASE MOUNTING SWITCH-DISCONNECTORS

KZ16÷40

Supplied with a standard steel shaft, see accessories for options.

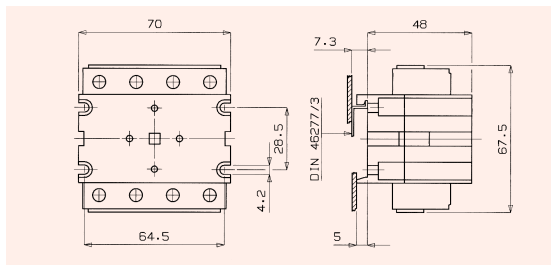
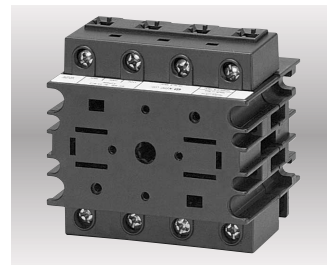
	KZ16	KZ30	KZ40
2 P.		KZ30B2000	KZ40B2000
3 P.	KZ16B3000	KZ30B3000	KZ40B3000
4 P.	KZ16B4000	KZ30B4000	KZ40B4000
	MOD.	MOD.	MOD.



XA16÷32

Supplied with a standard steel shaft, see accessories for options.

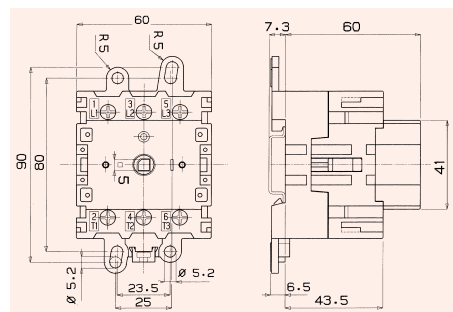
	XA16	XA25	XA32
2 P.	XA162B		XA322B
3 P.	XA163B	XA253B	XA323B
4 P.	XA164B	XA254B	XA324B
	MOD.	MOD.	MOD.



XA50÷100

Supplied with a standard steel shaft, see accessories for options.

	XA50	XA63	XA80	XA100
3 P.	XA503B	XA633B	XA803B	XA1003B
	MOD.	MOD.	MOD.	MOD.



On-off switch with door interlock device, anodized grey plate, black knob.

■ 48 KZ-XA(16÷32).B

YME01

MOD.

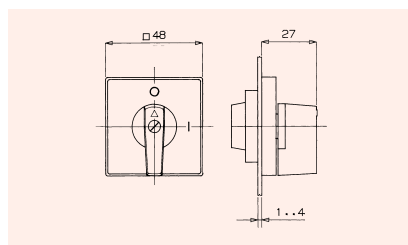


Emergency on-off switch with door interlock device, red knob and yellow plate.

■ 48 KZ-XA(16÷32).B

YMEG1

MOD.



On-off switch with door interlock device, anodized grey plate, black knob.

■ 64 KZ-XA(16÷100).B

YME06

MOD.

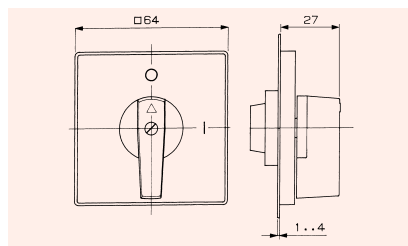


Emergency on-off switch with door interlock device, red knob and yellow plate.

■ 64 KZ-XA(16÷100).B

YMEG6

MOD.



Main on-off switch with door interlock device, padlock facility in 0 black knob and grey plate.

■ 67 KZ-XA(16÷100).B

YMXN6

MOD.

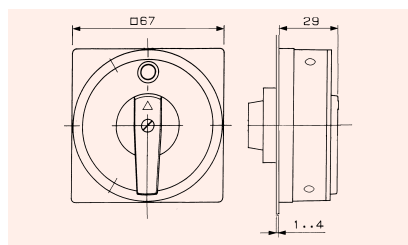


Main emergency on-off switch with door interlock device, padlock facility in 0 red knob and yellow plate.

■ 67 KZ-XA(16÷100).B

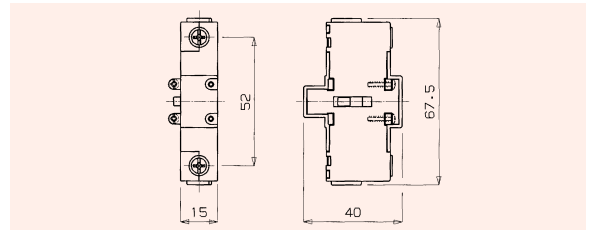
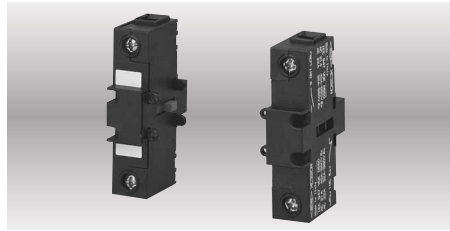
YMXL6

MOD.



CONTACT BLOCKS AND AUXILIARY CONTACTS

Additional pole or auxiliary contact block with double schematic function: if mounted on body B version (panel mounting) or mounted on body R version (rear mounting)



	1NO in "B"/ 1NC in "R"	
XA-16	XC16AN	
XA25	XC25AN	
XA-32	XC32AN	
MOD.		

	1NC in "B"/ 1NO in "R"	
XA-16	XC16CN	
XA25	XC25CN	
XA-32	XC32CN	
MOD.		

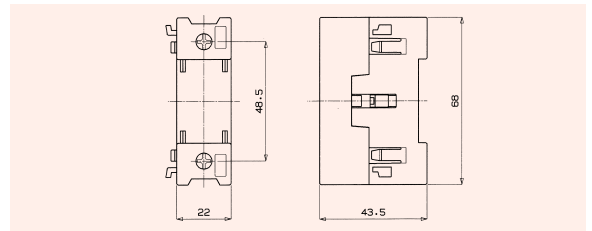
Auxiliary contact block

1NC	
XC012CB	
MOD.	

1NO	
XC012AB	
MOD.	

Ground	
XA-16÷32	XC32GN
MOD.	

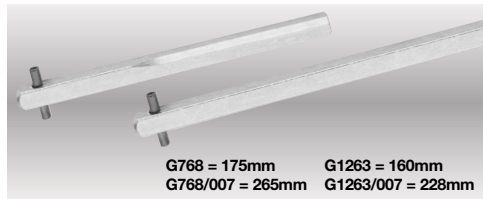
Ground	
XA50-63-80-100	XC100GB
MOD.	



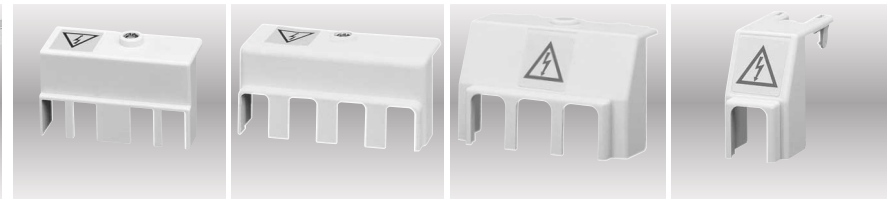
4th Pole	
XA50	XC050PB
XA63	XC063PB
XA80	XC080PB
XA100	XC100PB
MOD.	

ACCESSORIES

Shaft extension



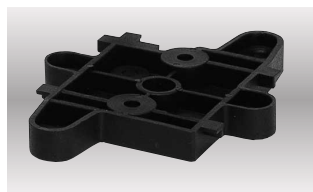
Terminal covers



KZ16-40	XA16-32	XA050-100	KZ16-30-40	XA16-25-32	XA50-63-80-100	XA50-63-80-100	
G768	G768/007	G1263	G1263/007	G1280	G813	G1305	G1304
MOD.							

Base fixing plate

KZ16÷40
KG6047
MOD.



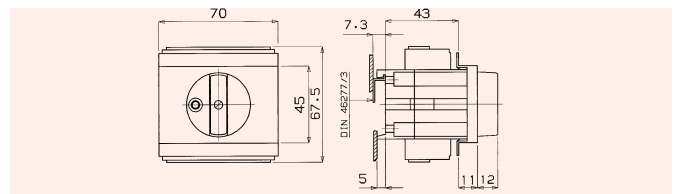
Door-interlock mounting depth

	With standard shaft	With shaft extension			
		G768	G768/007	G1263	G1263/007
KZ16÷KZ40	78/110	80/210	170/300	-	-
XA16÷XA32	80/110	80/210	170/300	-	-
XA050÷XA100	100/152	-	-	100/232	168/300
	MIN/MAX	MIN/MAX	MIN/MAX	MIN/MAX	MIN/MAX

YMDDN

Type for fixing on DIN rail frame set with slot. Black knob grey plate for XA16÷32.B.series.

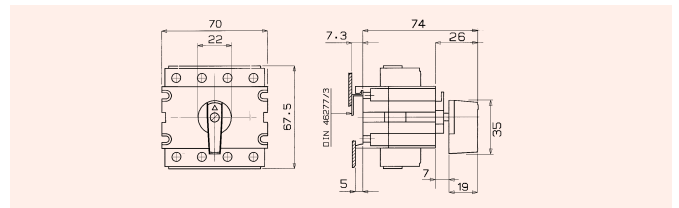
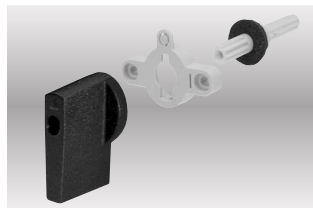
YMDDN
MOD.



G1291N

Hand direct drive for body KZ.B, XA16÷32.B. series.

G1291N
MOD.



KZ, XA Series

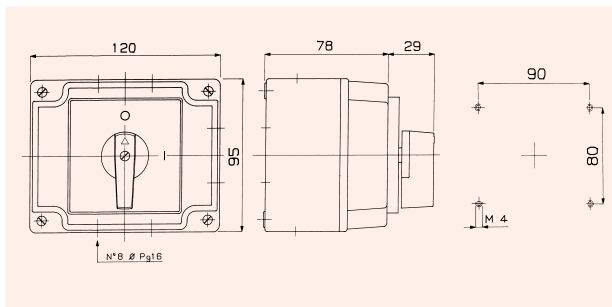
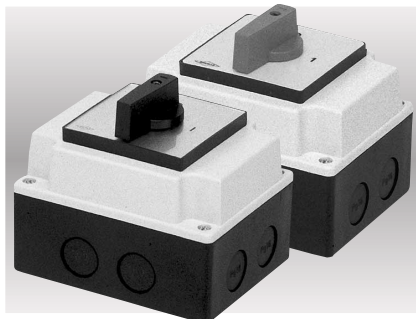
ENCLOSED SWITCH-DISCONNECTORS

B1P

On-off switch with anodized grey plate, black knob mounted in plastic enclosure.

B1G

Emergency on-off switch with red knob and yellow plate, mounted in plastic enclosure.



	KZ16	KZ30	KZ40
3 P.	KZ16B3000B1P	KZ30B3000B1P	KZ40B3000B1P
4 P.	KZ16B4000B1P	KZ30B4000B1P	KZ40B4000B1P
	MOD.	MOD.	MOD.

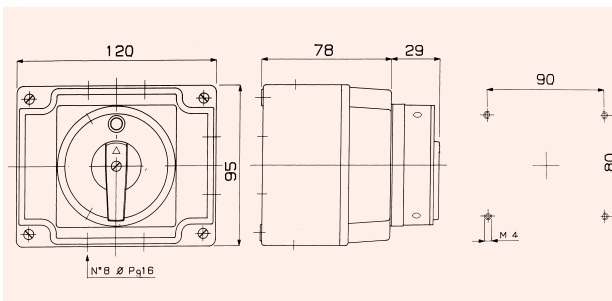
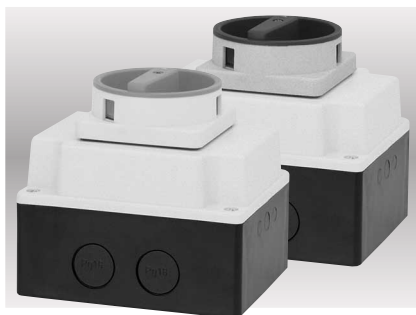
	KZ16	KZ30	KZ40
3 P.	KZ16B3000B1G	KZ30B3000B1G	KZ40B3000B1G
4 P.	KZ16B4000B1G	KZ30B4000B1G	KZ40B4000B1G
	MOD.	MOD.	MOD.

B1L

Main emergency on-off switch with padlock facility in 0 red knob and yellow plate, mounted in plastic enclosure.

B1N

Main on-off switch with padlock facility in 0 black knob and grey plate, mounted in plastic enclosure.



	KZ16	KZ30	KZ40
3 P.	KZ16B3000B1L	KZ30B3000B1L	KZ40B3000B1L
4 P.	KZ16B4000B1L	KZ30B4000B1L	KZ40B4000B1L
	MOD.	MOD.	MOD.

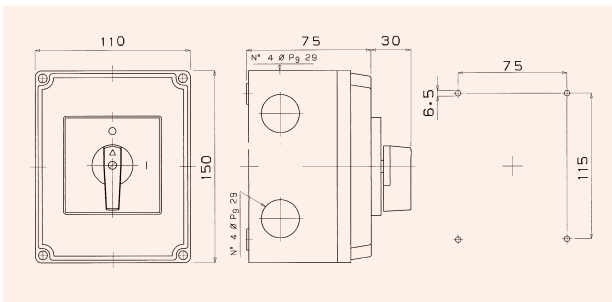
	KZ16	KZ30	KZ40
3 P.	KZ16B3000B1N	KZ30B3000B1N	KZ40B3000B1N
4 P.	KZ16B4000B1N	KZ30B4000B1N	KZ40B4000B1N
	MOD.	MOD.	MOD.

BSP

On-off switch with anodized grey plate, black knob mounted in plastic enclosure.

BSG

Emergency on-off switch with red knob and yellow plate, mounted in plastic enclosure.



	XA16	XA25	XA32
3 P.	XA1630BSP	XA2530BSP	XA3230BSP
4 P.	XA1640BSP	XA2540BSP	XA3240BSP
	MOD.	MOD.	MOD.

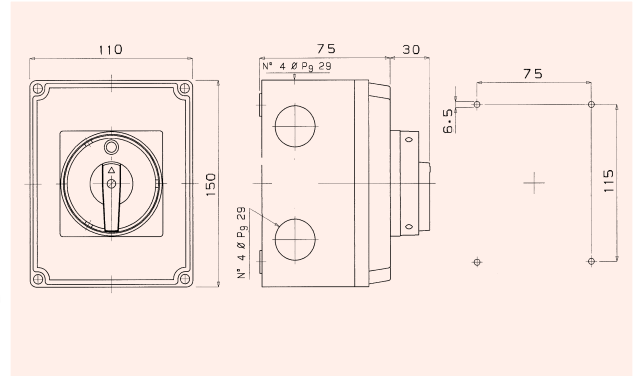
	XA16	XA25	XA32
3 P.	XA1630BSG	XA2530BSG	XA3230BSG
4 P.	XA1640BSG	XA2540BSG	XA3240BSG
	MOD.	MOD.	MOD.

KZ, XA Series

ENCLOSED SWITCH-DISCONNECTORS

BSL

Main emergency on-off switch with padlock facility in 0 red knob and yellow plate, mounted in plastic enclosure.



BSN

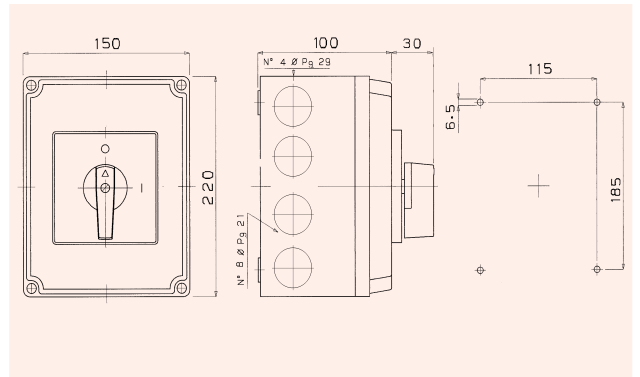
Main on-off switch with padlock facility in 0 black knob and grey plate, mounted in plastic enclosure.

	XA16	XA25	XA32
3 P.	XA1630BSL	XA2530BSL	XA3230BSL
4 P.	XA1640BSL	XA2540BSL	XA3240BSL
	MOD.	MOD.	MOD.

	XA16	XA25	XA32
3 P.	XA1630BSN	XA2530BSN	XA3230BSN
4 P.	XA1640BSN	XA2540BSN	XA3240BSN
	MOD.	MOD.	MOD.

BSP

On-off switch with anodized grey plate, black knob mounted in plastic enclosure.



BSG

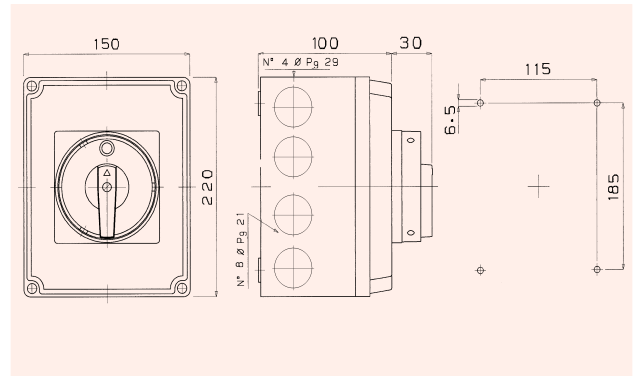
Emergency on-off switch with red knob and yellow plate, mounted in plastic enclosure.

	XA050	XA063	XA080	XA100
3 P.	XA0503BSP	XA0633BSP	XA0803BSP	XA1003BSP
4 P.	XA0504BSP	XA0634BSP	XA0804BSP	XA1004BSP
	MOD.	MOD.	MOD.	MOD.

	XA050	XA063	XA080	XA100
3 P.	XA0503BSG	XA0633BSG	XA0803BSG	XA1003BSG
4 P.	XA0504BSG	XA0634BSG	XA0804BSG	XA1004BSG
	MOD.	MOD.	MOD.	MOD.

BSL

Main emergency on-off switch with padlock facility in 0 red knob and yellow plate, mounted in plastic enclosure.



BSN

Main on-off switch with padlock facility in 0 black knob and grey plate, mounted in plastic enclosure.

	XA050	XA063	XA080	XA100
3 P.	XA0503BSL	XA0633BSL	XA0803BSL	XA1003BSL
4 P.	XA0504BSL	XA0634BSL	XA0804BSL	XA1004BSL
	MOD.	MOD.	MOD.	MOD.

	XA050	XA063	XA080	XA100
3 P.	XA0503BSN	XA0633BSN	XA0803BSN	XA1003BSN
4 P.	XA0504BSN	XA0634BSN	XA0804BSN	XA1004BSN
	MOD.	MOD.	MOD.	MOD.