

DO Type (NEOZED) FUSE-LINKS & SCREW CAP HOLDERS



400 VOLT DO TYPE NEOZED FUSE-LINKS, SCREW CAPS AND FUSE BASES

Ferraz Shawmut DO fuse-links, also called Neozed type, are 400 Volts AC rated with 100kA interrupting rating. They have 3 physical sizes, DO1, DO2, and DO3 and fit into special screw caps. All fuse-links have blown-fuse indicators which are visible through the screw cap when mounted. Screw caps fit onto single and three-pole bases which are screw or DIN rail mounted. All accessories such as covers and gauge rings are described.

Ferraz Shawmut is also comprised of Lindner GmbH, a major supplier of DO Type Neozed fuses. These fuses are now being sold to markets worldwide through the Ferraz Shawmut distribution network. For Lindner information please contact your local representative.

Ratings

- **AC:** 440 Volts AC, 100kA interrupting rating

Approvals

- Meet IEC, VDE and UNE Standards:
IEC 269-3, 3A
VDE 0636
UNE 21103



26035-G

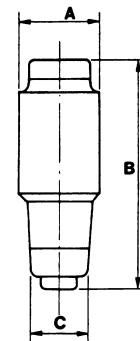
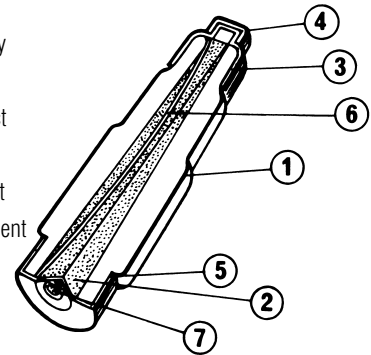


26055-G

DO Fuse-links, 400 VAC — Catalog Numbers, Ratings

SIZE	RATED CURRENT	CATALOG NUMBER	GAUGE COLOR	CAP THREAD	STANDARD PACK/CTN.	
DO1	2	26013-G	PINK	E 14	10/50	
	4	26019-G	BROWN			
	6	26023-G	GREEN			
	10	26031-G	RED			
	16	26035-G	GRAY			
DO2	20	26037-G	BLUE	E 18	5/25	
	25	26039-G	YELLOW			
	35	26045-G	BLACK			
	50	26051-G	WHITE			
	63	26055-G	26051-G			COPPER
			26055-G			COPPER
DO3	80	26059-G	SILVER	M30 x 2	10	
	100	26063-G	RED	M30 x 2	5/50	

- 1 Ceramic body
- 2 Sand
- 3 Upper contact
- 4 Contact top
- 5 Lower contact
- 6 Melting element
- 7 Indicator



Dimensions

	DO1	DO2	DO3
A	11	15	24
B	36	36	43
C	7	16	22

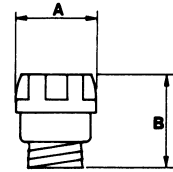
DO Type (NEOZED) FUSE-LINKS & SCREW CAP HOLDERS

Screw Caps

SIZE	RATED CURRENT	CATALOG NUMBER	GAUGE COLOR	CAP THREAD	STANDARD PACK
D01	16	26135-G	-	E 14	20
D02	63	26155-G	-	E 14	20
D03	100	26163-G	-	M30	10



26135-G



Dimensions

	D01	D02	D03
A	31	31	40
B	26	26	37

Gauge Rings

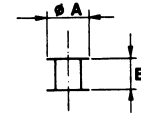
SIZE	RATED CURRENT	CATALOG NUMBER	GAUGE COLOR	CAP THREAD	STANDARD PACK
D01	2	26213-G	PINK	E 14	50
	4	26219-G	BROWN		
	6	26223-G	GREEN		
	10	26231-G	RED		
D02	20	26237-G	BLUE	E 18	50
	25	26239-G	YELLOW		
	35	26245-G	BLACK		
	50	26251-G	WHITE		
	D03	80	26259-G		



26213-G



26237-G



Dimensions

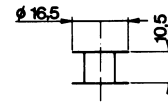
	D01	D02	D03
A	12	16.5	27
B	10.5	10.5	10.5

Adapter Rings

SIZE	RATED CURRENT	CATALOG NUMBER	GAUGE COLOR	CAP THREAD	STANDARD PACK
D01	2	26313-G	-	-	50
	4	26319-G	-	-	
	6	26323-G	-	-	
	10	26331-G	-	-	
	16	26335-G	-	-	



26331-G

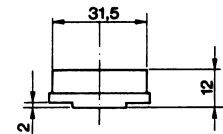


Protecting Rings

SIZE	RATED CURRENT	CATALOG NUMBER	GAUGE COLOR	CAP THREAD	STANDARD PACK
D01-D02	-	26340-G	-	-	50



26340-G

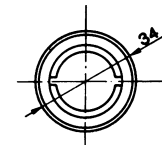
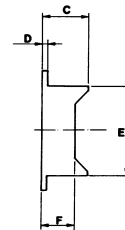
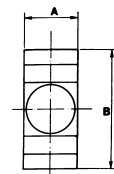


Insulating Covers — For DO-Fuse Bases

SIZE	POLES	CATALOG NUMBER	STANDARD PACK
D01-D02	1	26450-G	50
D01-D02	3	26451-G	10
D03	1	26452-G	20



26450-G



Dimensions

	D01-2 unipolar	D01-2 tripolar	D03 unipolar
A	27	81	45
B	60	60	60
C	23	23	-
D	3	3	5
E	45.5	45.5	45.5
F	18	18	18

Adapter Spring — For Screw Cap

SIZE	RATED CURRENT	CATALOG NUMBER	STANDARD PACK
D02	-	26550-G	25
D03	-	26551-G	25



26550-G

Insulated Gauge Ring Installation Tool

SIZE	RATED CURRENT	CATALOG NUMBER	STANDARD PACK
-	-	26600-G	1



26600-G

DO Type (NEOZED) FUSE-LINKS & SCREW CAP HOLDERS

Single Pole Fuse Bases - Screw and Rail Mount

MOUNTING METHOD	SIZE	RATED In CURRENT (A)	MAX. WIRE SIZE (mm ²)	CATALOG NUMBER	CONNECTIONS*		STD. PACK
					IN	OUT	
SCREW	D01	16	4	26802-G	1	1	20
	D02	63	25	26804-G	2	2	20
	D02	63	25	26806-G	3	2	20
	D03	100	50	26810-G	3	2	10
DIN RAIL	D01	16	4	26912-G	1	1	20
	D02	63	25	26914-G	2	2	20
	D02	63	25	26916-G	3	2	20
	D03	100	50	26920-G	3	2	10

* Connection types

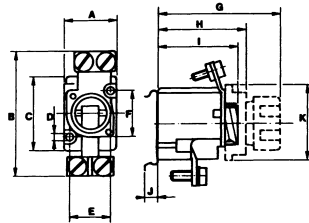


26804-G

26916-G

Dimensions

	D01	D02	D03
A	26	26.5	44
B	55	60	86
C	36	36	50
D	3	3	4.5
E	20	20	32
F	22	22	32
G	64	64	74
H	45	45	53
I	39	39.5	44
J	8	8	7.5
K	34	34	60



Single Pole Fuse Bases - For Assembly on Copper Bus Bars

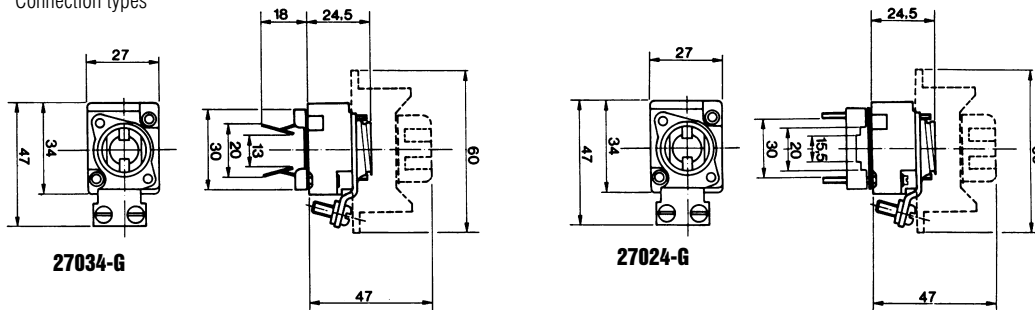
MOUNTING METHOD	SIZE	RATED In CURRENT (A)	MAXIMUM WIRE SIZE	CATALOG NUMBER	CONNECTIONS*		STD. PACK
					IN	OUT	
BOLTED	D02	63	15mm x 3mm 20mm x 5mm	27024-G	-	2	20
SNAP ON	D02	63	15mm x 5mm	27034-G	-	2	20

* Connection types

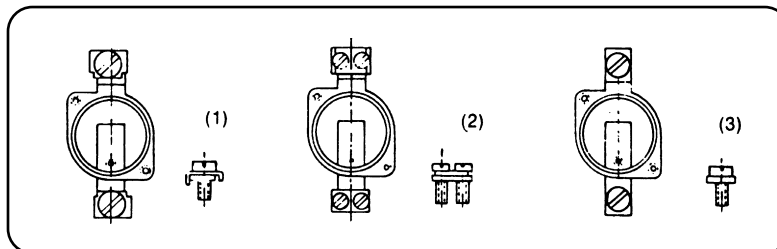


27024-G

27034-G



* Connection types



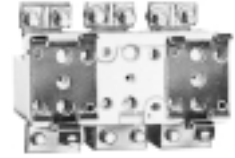
DO Type (NEOZED) FUSE-LINKS & SCREW CAP HOLDERS

Three Pole Fuse Bases - Screw and Rail Mount

MOUNTING METHOD	SIZE	RATED In CURRENT (A)	MAX. WIRE SIZE (mm ²)	CATALOG NUMBER	CONNECTIONS*		STD. PKG.
					IN	OUT	
SCREW	D01	16	4	27102-G	-	1	5
	D02	63	25	27104-G	-	2	
	D02	63	25	27106-G	3	2	
DIN RAIL	D01	16	4	27212-G	-	1	5
	D02	63	25	27214-G	-	2	
	D02	63	25	27216-G	3	2	



27106-G

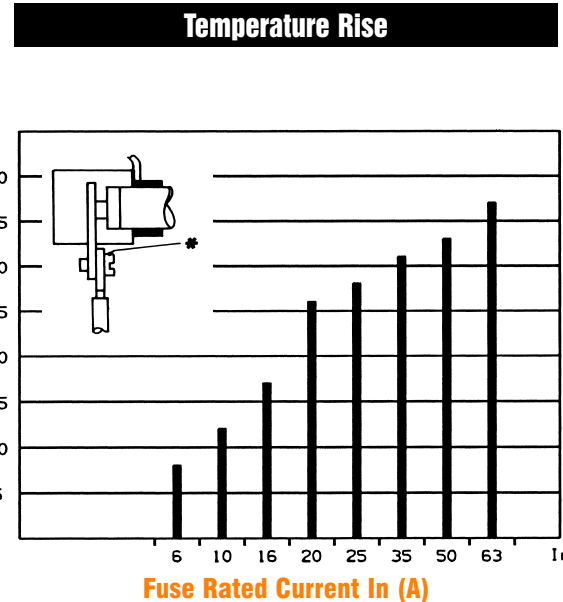
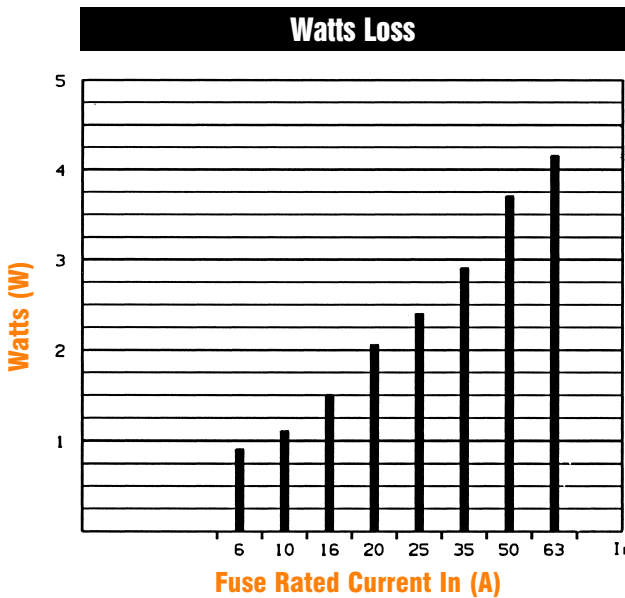
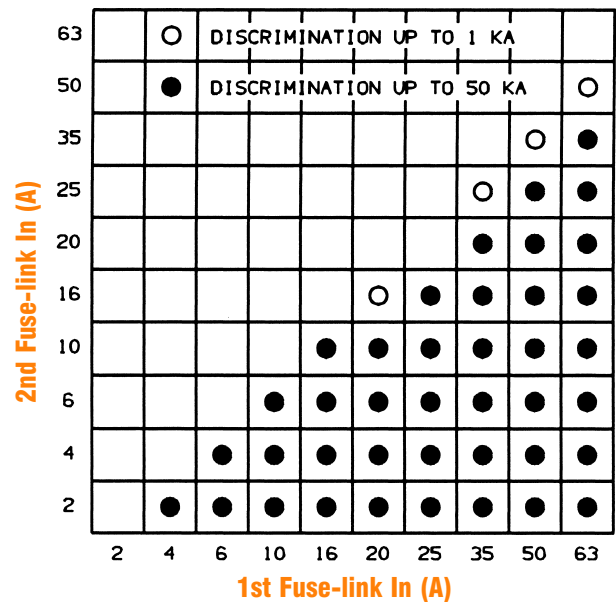
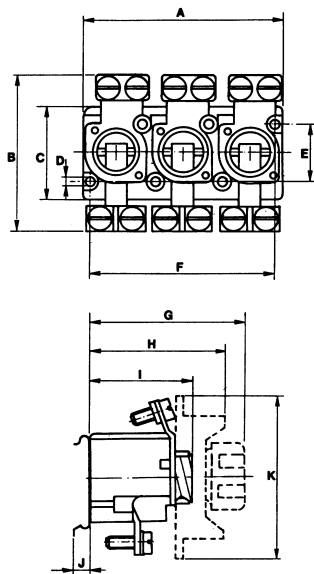


27214-G

* Connection types (see previous page)

Dimensions

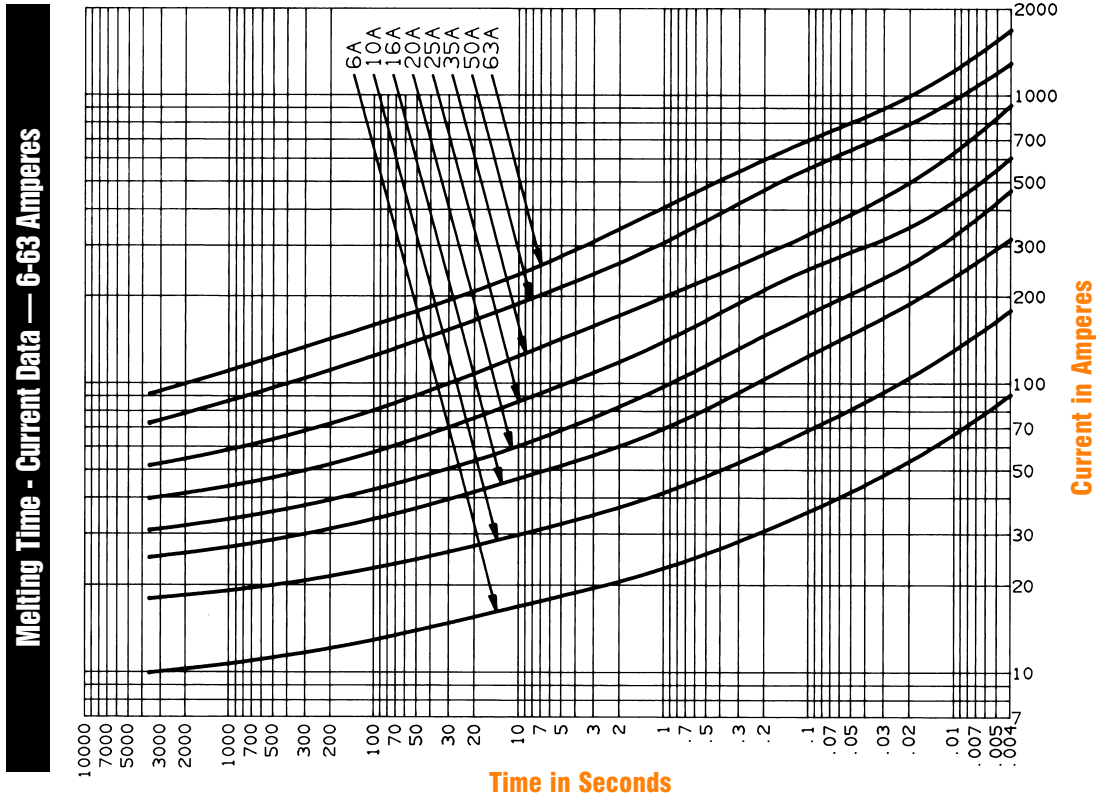
	D01	D02
A	80.5	80.5
B	55	60
C	36	36
D	4	4
E	22	22
F	74	74
G	64	64
H	56	56
I	38	39.5
J	8	8
K	60	60



Watts loss and temperature rise measured in point (*). Values obtained in both cases by Ferraz fuses are extremely low.

DO Type (NEOZED) FUSE-LINKS & SCREW CAP HOLDERS

DO Fuse-links, 6-63 Amperes



Peak Let-Thru Current Data — 6-63 Amperes

